

Form 19478  
(540)

Printed in U. S. A.

HISTORICAL COPY

DO NOT REMOVE

# LIST OF PARTS



MACHINE No. 6-19

THE SINGER MANUFACTURING COMPANY

From the library of: Diamond Needle Corp

## INSTRUCTIONS FOR OILING

All bearings and oiling points on the machine should be oiled frequently, using "Singer Oil for High Speed Sewing Machines (Cloth and Leather)".

The stuffing boxes for the ball bearings on the drill spindles and countershaft should be kept filled with "Singer Ball Bearing Lubricant" through the Alemite fittings, using a grease gun such as Singer Gun No. 121588.

The drill may be lubricated by either "Singer Stainless Oil" or by a soapy water solution placed on the felt wiping pad near the drill.

Copyright, U. S. A., 1940  
by The Singer Manufacturing Co.  
All Rights Reserved for all Countries

## INDEX

	Page
Accessories.....	17
Bobbin Winder.....	17
Foot Lifter Treadle and Pitman.....	20
Machine No. 6-19.....	5
Numerical List of Parts.....	21
Singer Driving Attachment.....	18
Thread Unwinder.....	18

From the library of: Diamond Needle Co.

# INSTRUCTIONS FOR ORDERING

In ordering from this list, use ONLY the part NUMBER in the FIRST column.

The number stamped on a Sewing Machine Part is in every case the number of the single part only.

Every combination of parts sent out as such has its specific number, which, although not stamped on the parts, must be used when ordering the combination.

Each number always indicates the SAME PART in whatever list it appears, or for whatever machine.

The letters after some of the numbers indicate the style of finish only, as follows:

- A-Hardened, Polished, Nickel Plated and Buffed
- A.A-Buffed and Chromium Plated
- A.B-Hardened, Polished, Buffed and Chromium Plated
- A.C-Brown Baking Enamel Finish
- A.D-Gray Baking Enamel Finish
- A.E-Hardened, Bright Rumbled and Nickel Plated
- A.F-Hardened, Bright Rumbled, Nickel Plated, Bright Rumbled and Chromium Plated
- B-Polished, Nickel Plated and Buffed
- C-Hardened Only
- C.R-Hardened and Merlized
- D-Polished Only
- E-Soft, Not Polished
- F-Hardened and Polished
- F.J-Hardened, Polished and Nickel Plated
- G-Bright Rumbled and Nickel Plated
- H-Blued
- J-Nickel Plated Only
- K-Hardened and Nickel Plated
- L-Brass Plated
- M-Oxidized
- N-Japanned, Dull
- P-Japanned, Bright
- P.P-Wrinkle Finish
- R-Merlized
- S-Cadmium Plated
- T-Copper Plated
- T.A-Hardened, Polished, Copper and Nickel Plated and Buffed
- T.B-Copper and Nickel Plated and Polished
- T.J-Copper and Nickel Plated Only
- T.K-Hardened, Copper and Nickel Plated
- T.L-Copper and Brass Plated
- T.M-Copper Plated and Oxidized
- U-Zinc Plated
- V-Silver Plated
- W-Polished and Nickel Plated
- X-Black Oxide, for Iron and Steel
- X.C-Hardened and Black Oxide, for Iron or Steel
- Y-Black Nickel Plated Only
- Z-Chromium Plated
- Z.A-Hardened, Polished, Nickel Plated, Buffed and Chromium Plated
- Z.B-Polished, Nickel Plated, Buffed and Chromium Plated
- Z.C-Hardened and Chromium Plated
- Z.D-Polished and Chromium Plated
- Z.G-Bright Rumbled, Nickel Plated, Bright Rumbled and Chromium Plated
- Z.J-Nickel and Chromium Plated
- Z.T-Copper and Chromium Plated

These letters MUST BE USED when they appear in the list; and AFTER the number as in the list.

In this series:

1 to 1500, 50001 to 51500 and 140001 to 142000 are Screw Numbers

1501 to 1800 and 51501 to 51800 are Nut Numbers

1801 to 2000 and 51801 to 52000 are Roller Numbers

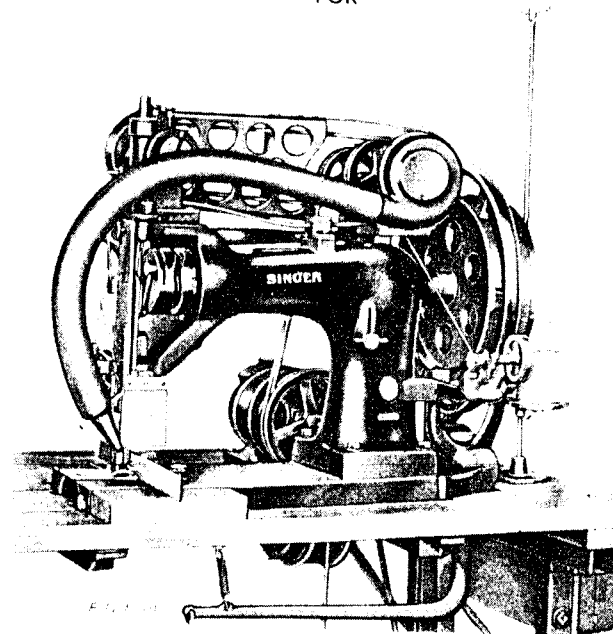
2001 to 50000 and 52001 to 140000 and 142001 to 190000 are Sewing Machine Parts, 190001 and upward are numbers of Electrical Parts.

The figures in the second column refer only to the plates, illustrating the parts, and are NOT TO BE USED in ordering.

Parts marked with an asterisk (\*) are furnished only when repairs are made at factory.

# LIST OF PARTS COMPLETE

FOR



MACHINE No. 6-19

For Stitching Books Up to 1 1/2 inches Thick. Length of stitch 1 to the inch. Clearance under presser foot 1 5/8 inches. Alternating pressers. Foot Lifter. S.D.A. Drilling device for drilling hole before stitch is made and blower which blows drill chips from the work. Safety device to protect the operator. Speed 80 to 120 R. P. M., depending upon the thickness of book and the finish of paper.

No.	Plate	Name
*64083	----	Arm with 15404 and two 15405.....
19785	7323	" Dowel Pin.....
9207	7323	" Oil Tube for oiling Oscillating Rock Shaft.....
50345E	7323	Arm Screw.....
43263	7323	" " Washer.....
64084	7314	" Shaft.....
9208	7314	" " Bushing.....
434C	7314	" " " Set Screw.....
50262D	7314	" " Screw.....
9105	7321	" Side Cover.....
65D	7321	" " " Hinge Screw.....
64085	23402	Balance Wheel with 64216 and two 344C...
64086	----	" " 64085 with 64046, 64215 and two 1445C.....

From the library of: Diamond Needle Corp

No.	Plate	Name
25362	-----	Balance Wheel Ball, size 3/16 in.....
64043	-----	" " " Ring.....
64044	23402	" " " " 64043 with twenty-seven 25362.....
64045	23402	Balance Wheel Ball Washer (left).....
64046	23402	" " " " (right).....
1445C	23402	" " " " " Screw.
58868	7314	" " Key.....
344C	23402	" " Set Screw.....
*64087	-----	Bed.....
64088	7317	Blower Fan with two 448C.....
64089	7317	" " Case (back half).....
64090	7317	" " " (front half).....
134034	7317	" " " " " Cover.....
131E	7317	" " " " " " Screw
134025	7317	" " " " " " Spacing Collar.....
190E	7317	Blower Fan Case Screw.....
134026	-----	Blower Fan Case complete, Nos. 64089, 64090, 134034, three each 131E, 134025 and seven 190E.....
64248	7317	Blower Fan Driving Shaft.....
134044	-----	" " " " " 64248 with two 67337.....
67337	7317	Blower Fan Driving Shaft Ball Bearing...
64096	7317	" " " " " " "
		Grease Tube.....
64097	-----	Blower Fan Driving Shaft Ball Bearing Grease Tube complete, Nos. 64096 and 67465.....
67465	7317	Blower Fan Driving Shaft Ball Bearing Grease Tube Cup.....
64098	7317	Blower Fan Driving Shaft Ball Bearing Washer (inside).....
64099	7317	Blower Fan Driving Shaft Ball Bearing Washer (outside).....
51265J	7317	Blower Fan Driving Shaft Ball Bearing Washer Screw.....
64249	7317	Blower Fan Driving Shaft Bracket.....
948E	7317	" " " " " " Screw..
64250	7317	" " " " " Pulley (double grooved) 3 3/4 in. diam., with two 50084C.....
50084C	7317	Blower Fan Driving Shaft Pulley Set Screw.....
448C	7317	Blower Fan Set Screw.....
64102	7318	" Hose, 2 in. diam., 38 in. long...
64104	7320	" Nozzle.....
898E	7320	" " Bracket Screw.....
948E	7317	" Screw.....

No.	Plate	Name
134001	7317	Blower complete, Nos. 64088, 64249, 64250, 134004, 134026, 134044, two each 948E, 64097 to 64099 and six 51265J.....
64106	7314	Crank Connecting Rod with two 575E.....
575E	7314	" " " Cap Screw.....
369C	7314	" " " Hinge Screw.....
1509E	7314	" " " " " Nut....
64108	7319	Drill (short shank).....
		Note: No. 64108 is made to correspond with the size of the Sewing Machine Needle and will be furnished to suit Needles, sizes 25, 26 and 27.
64240	-----	Drill (long shank).....
		Note: No. 64240 is made to correspond with the size of the Sewing Machine Needle and will be furnished to suit Needles, sizes 25 and 26.
134002	7318	Drill Belt Guard with two 795C.....
134049	-----	" " " " 134002 with 134048 and two 162J.....
134003	7318	Drill Belt Guard Belt Guide.....
190J	7318	" " " " " Screw.....
134048	7318	" " " Extension.....
162J	7318	" " " " " Screw.....
795C	7318	" " " Set Screw.....
51610C	7319	" Clamping Nut.....
134004	7317	" Driving Pulley (double grooved) 5 1/4 in. diam., with two 50084C....
50084C	7317	Drill Driving Pulley Set Screw.....
64123	7320	" Lubricator Oil Pad (felt) lower...
64124	7320	" " " " " upper...
64125	7320	" " " " " Holder.....
64126	7320	" " " " " Arm.....
64127	7320	Drill Lubricator Oil Pad Holder Arm complete, Nos. 64123 to 64126 and two 1423J.....
64128	7320	Drill Lubricator Oil Pad Holder Arm Driving Bracket with 1700J, 1915 and two 1497E.....
1497E	7320	Drill Lubricator Oil Pad Holder Arm Driving Bracket Set Screw.....
1915	7320	Drill Lubricator Oil Pad Holder Arm Roller and Screw Stud.....
1700J	7320	Drill Lubricator Oil Pad Holder Arm Roller and Screw Stud Nut.....
64129	7320	Drill Lubricator Oil Pad Holder Arm Spring.....
64130	7320	Drill Lubricator Oil Pad Holder Arm Spring Plate.....
1423J	7320	Drill Lubricator Oil Pad Holder Screw...
64131	7320	" Safety Guard (glass).....
64132	7320	" " " Bracket.....

No.	Plate	Name
64133	-----	Drill Safety Guard Bracket complete, Nos. 64131, 64132, 64134, two 134047 and three 742F.....
64135	7320	Drill Safety Guard Bracket Hinge Screw Stud.....
64136	7320	Drill Safety Guard Bracket Hinge Screw Stud Bracket.....
2049	7320	Drill Safety Guard Bracket Hinge Screw Stud Bracket Dowel Pin.....
1346E	7320	Drill Safety Guard Bracket Hinge Screw Stud Bracket Screw.....
1410E	7320	Drill Safety Guard Bracket Hinge Screw Stud Cap Screw.....
66581	7320	Drill Safety Guard Bracket Hinge Screw Stud Collar with two 50150C.....
50150C	7320	Drill Safety Guard Bracket Hinge Screw Stud Collar Set Screw.....
2818	7320	Drill Safety Guard Bracket Hinge Screw Stud Friction Washer.....
1520J	7320	Drill Safety Guard Bracket Hinge Screw Stud Nut.....
64134	7320	Drill Safety Guard Bracket Plate.....
742F	7320	" " " " " Screw..
134047	7320	" " " Packing (paper).....
134035	7319	" Spindle.....
64139	7319	" " Bushing (lower).....
64140	7319	" " " (upper).....
64141	7319	" " Collar with 457C and 791C.
791C	7319	" " " Position Screw.....
457C	7319	" " " Set Screw.....
64142	7319	" " " Washer.....
134011	7319	" " Driving Gear (spiral) with 888C and 50422C.....
888C	7319	Drill Spindle Driving Gear Position Screw.....
50422C	7319	Drill Spindle Driving Gear Set Screw....
134012	7319	" " " " Shaft.....
134046	-----	" " " " " 134012 with two 67337.....
67337	7319	Drill Spindle Driving Gear Shaft Ball Bearing (back).....
134013	7319	Drill Spindle Driving Gear Shaft Ball Bearing (back) Grease Packing Collar
446C	7319	Drill Spindle Driving Gear Shaft Ball Bearing (back) Grease Packing Collar Set Screw.....
64096	7319	Drill Spindle Driving Gear Shaft Ball Bearing (back) Grease Tube.....
64097	-----	Drill Spindle Driving Gear Shaft Ball Bearing (back) Grease Tube complete, Nos. 64096 and 67465.....

No.	Plate	Name
67465	7319	Drill Spindle Driving Gear Shaft Ball Bearing (back) Grease Tube Cup.....
134075	7319	Drill Spindle Driving Gear Shaft Ball Bearing (back) Washer.....
190J	7319	Drill Spindle Driving Gear Shaft Ball Bearing (back) Washer Screw.....
67337	7319	Drill Spindle Driving Gear Shaft Ball Bearing (front).....
134014	7319	Drill Spindle Driving Gear Shaft Ball Bearing (front) Cover.....
190J	7319	Drill Spindle Driving Gear Shaft Ball Bearing (front) Cover Screw.....
134016	7319	Drill Spindle Driving Gear Shaft Ball Bearing (front) Grease Tube.....
134017	-----	Drill Spindle Driving Gear Shaft Ball Bearing (front) Grease Tube complete, Nos. 67465 and 134016.....
67465	7319	Drill Spindle Driving Gear Shaft Ball Bearing (front) Grease Tube Cup.....
134018	7319	Drill Spindle Driving Gear Shaft Pulley (double grooved) 4 in. diam., with two 50084C.....
50084C	7319	Drill Spindle Driving Gear Shaft Pulley Set Screw.....
64149	7319	Drill Spindle Lifting Arm with two 1497E
1497E	7319	" " " " Set Screw....
134019	7319	Drill Spindle Locking Stud.....
134005	7319	" " Pinion (spiral) with 1036C and 1037C.....
134051	-----	Drill Spindle Pinion 134005 with 134050.
898624	7319	Drill Spindle Pinion Grease Cup complete
134006	7319	" " " Housing with 446C..
134007	-----	Drill Spindle Pinion Housing complete, Nos. 64097, 64146, 134006, 134008, 134009, 134011, 134013, 134014, 134017 to 134020, 134045, 134046, 134051, 134075, 898624 and fifteen 190J.....
134008	7319	Drill Spindle Pinion Housing Cover.....
190J	7319	" " " " " Screw
948E	7319	" " " " " Screw.....
134009	7319	" " " Key.....
134050	7319	" " " Oil Guard (two pieces) with 5965.....
5965	7319	Drill Spindle Pinion Oil Guard Pin.....
1037C	7319	" " " Position Screw.....
1036C	7319	" " " Set Screw.....
134010	7319	" " " Shaft.....
134045	-----	" " " " 134010 with two 67337.....
67337	7319	Drill Spindle Pinion Shaft Ball Bearing (lower).....

No.	Plate	Name
64146	7319	Drill Spindle Pinion Shaft Ball Bearing (lower) Washer.....
190J	7319	Drill Spindle Pinion Shaft Ball Bearing (lower)Washer Screw.....
67337	7319	Drill Spindle Pinion Shaft Ball Bearing (upper).....
134020	7319	Drill Spindle Protector Sleeve.....
190J	7319	" " " " Screw....
41672	7319	" " Thrust Bearing Ball Ring..
791C	7319	" " " " " " " " "
		Body Position Screw.....
452C	7319	Drill Spindle Thrust Bearing Ball Ring Body Set Screw.....
134037	7319	Drill Spindle Thrust Bearing Ball Ring Cup with 452C and 791C.....
134039	7319	Drill Spindle Thrust Bearing Ball Ring Washer.....
64152	7320	Face Plate.....
966E	7320	" " Screw.....
9047	7315	Feed Bar.....
307C	7315	" " Screw Center.....
56814	-----	" " " " 307C with 1513J...
1513J	7315	" " " " Nut.....
8994	7314	" Cam with three 432C.....
432C	7314	" Set Screw.....
8927	7314	" Connecting Link.....
369C	7314	" " " Hinge Screw (feed forked connection end).....
1078C	7314	Feed Connecting Link Hinge Screw (regu- lator end).....
1509E	7314	Feed Connecting Link Hinge Screw Nut....
64155	7313	" Dog (spiked teeth) 17 teeth (11 teeth to the inch) for 134067.....
50581E	7313	Feed Dog Screw.....
17738	7313	" " " Washer.....
64156	7314	" Forked Connection.....
64157	-----	Feed Forked Connection complete, Nos. 369C, 1078C, 8927, 8930, 64156 and two 1509C.....
369C	7314	Feed Forked Connection Hinge Screw.....
1509C	7314	" " " " Nut..
64014	7315	" Lifting Rock Shaft with 134E, 2022 and 19967.....
64015	7315	Feed Lifting Rock Shaft complete, Nos. 64014 and 64016.....
64016	7315	Feed Lifting Rock Shaft Crank with 611D, 1619E and 1926.....
611D	7315	Feed Lifting Rock Shaft Crank Clamping Screw.....
1926	7315	Feed Lifting Rock Shaft Crank Roller with 962C.....

No.	Plate	Name
962C	7315	Feed Lifting Rock Shaft Crank Roller Screw.....
1619E	7315	Feed Lifting Rock Shaft Crank Roller Screw Nut.....
1015C	7315	Feed Lifting Rock Shaft Screw Center (left).....
1503E	7315	Feed Lifting Rock Shaft Screw Center (left) Nut.....
294C	7315	Feed Lifting Rock Shaft Screw Center (right).....
1503E	7315	Feed Lifting Rock Shaft Screw Center (right) Nut.....
19967	7315	Feed Lifting Rock Shaft Wearing Block...
2022	7315	" " " " " " " " "
		Position Pin.....
134E	7315	Feed Lifting Rock Shaft Wearing Block Screw.....
8930	7314	Feed Regulator.....
50529E	7314	" " Hinge Screw.....
51266D	7314	" " Thumb Screw with 64158...
64158	7314	" " " " Pin.....
9054	7315	" Rock Shaft.....
64017	-----	Feed Rock Shaft complete, Nos. 9054 and 9211.....
9211	7315	Feed Rock Shaft Crank with 50124D.....
50124D	7315	" " " " Clamping Screw....
1015C	7315	" " " " Screw Center.....
1503E	7315	" " " " " " Nut.....
64159	7323	Guide.....
254D	7323	" Thumb Screw.....
16994	7322	Lifting Presser Bar.....
64160	7322	" " " " Ball, 7/16 in. diam.
64161	7322	" " " " Cup.....
64162	7322	" " " " Bell Crank.....
524C	7322	" " " " " " Hinge Cap Screw.....
51881	7322	Lifting Presser Bar Bell Crank Lifting Roller.....
51267D	7322	Lifting Presser Bar Bell Crank Lifting Roller Screw.....
64163	-----	Lifting Presser Bar Bell Crank Lifting Roller Screw 51267D with 51881.....
1513C	7322	Lifting Presser Bar Bell Crank Lifting Roller Screw Nut.....
64164	7322	Lifting Presser Bar Bell Crank Lifting Roller Screw Nut Washer.....
64165	7322	Lifting Presser Bar Bracket with two 129E.....
129E	7322	Lifting Presser Bar Clamping Screw.....
64166	7323	" " " " Lifting Lever.....

No.	Plate	Name
64168	7323	Lifting Presser Bar Lifting Lever Connecting Rod.....
64169	7322	Lifting Presser Bar Lifting Lever Connecting Rod Bracket.....
23F	7322	Lifting Presser Bar Lifting Lever Connecting Rod Bracket Hinge Screw.....
42830	7323	Lifting Presser Bar Lifting Lever Connecting Rod Cotter Pin.....
1520E	7323	Lifting Presser Bar Lifting Lever Connecting Rod Nut.....
42523	7323	Lifting Presser Bar Lifting Lever Connecting Rod Nut Washer.....
64167	7323	Lifting Presser Bar Lifting Lever Hinge Stud.....
443C	7323	Lifting Presser Bar Lifting Lever Hinge Stud Set Screw.....
64170	7322	Lifting Presser Bar Rock Shaft.....
64171	7322	" " " " " Adjusting Arm with 445C.....
9216	7322	Lifting Presser Bar Rock Shaft Adjusting Arm Pin.....
445C	7322	Lifting Presser Bar Rock Shaft Adjusting Arm Set Screw.....
64172	7322	Lifting Presser Bar Rock Shaft Bracket..
4389	7322	" " " " " " " Dowel Pin (left).....
11661	7322	Lifting Presser Bar Rock Shaft Bracket Dowel Pin (right).....
779E	7322	Lifting Presser Bar Rock Shaft Bracket Screw (right).....
134E	7322	Lifting Presser Bar Rock Shaft Bracket Screw (left).....
134062	7322	Lifting Presser Bar Rock Shaft Crank with 363C and 1396E.....
1396E	7322	Lifting Presser Bar Rock Shaft Crank Clamping Screw.....
9216	7322	Lifting Presser Bar Rock Shaft Crank Pin
51925	7322	" " " " " " " Roller.....
140108C	7322	Lifting Presser Bar Rock Shaft Crank Roller Screw.....
1512E	7322	Lifting Presser Bar Rock Shaft Crank Roller Screw Nut.....
363C	7322	Lifting Presser Bar Rock Shaft Crank Set Screw.....
134063	7322	Lifting Presser Bar Rock Shaft Crank Sleeve.....
64174	7322	Lifting Presser Bar Rock Shaft Eccentric Strap with two each 1650E and 50351D
50351D	7322	Lifting Presser Bar Rock Shaft Eccentric Strap Clamping Screw.....

No.	Plate	Name
1650E	7322	Lifting Presser Bar Rock Shaft Eccentric Strap Clamping Screw Nut.....
51268C	7322	Lifting Presser Bar Rock Shaft Eccentric Strap Hinge Screw.....
1513J	7322	Lifting Presser Bar Rock Shaft Eccentric Strap Hinge Screw Nut.....
64164	7322	Lifting Presser Bar Rock Shaft Eccentric Strap Hinge Screw Nut Washer.....
64175	7322	Lifting Presser Bar Rock Shaft Eccentric Strap Hinge Screw Slide.....
257E	7322	Lifting Presser Bar Screw Bushing.....
64176	7322	" " " Sleeve (lower).....
64177	7322	" " " " (upper).....
64178	7323	" " " Spring (flat).....
134064	7323	" " " " Bracket.....
1177E	7323	" " " " " Screw
11661	7323	" " " " " Pin.....
50323E	7323	" " " " " Regulating Screw.....
134070	7313	Lifting Presser Foot with 64181.....
134071	7313	" " " " Holder with 1396J..
1396J	7313	" " " " Clamping Screw
164D	7313	" " " " Screw.....
134072	7313	Lifting Presser Foot complete, Nos. 134070, 134071 and two 164D.....
64181	7313	Lifting Presser Foot Drill Bushing.....
Note: When ordering No. 64181, state size of Drill for which Bushing is required.		
64190	7322	Needle Bar.....
134040	7322	" " Connecting Link.....
370C	7322	" " " " Hinge Screw.
1509E	7322	" " " " " " " Nut.....
9246	7322	Needle Bar Connecting Stud with two 1149C.....
134041	-----	Needle Bar Connecting Stud 9246 with 134040.....
1149C	7322	Needle Bar Connecting Stud Clamping Screw.....
257E	7322	Needle Bar Screw Bushing.....
64193	7322	" Clamp with 149F.....
149F	7322	" " Screw.....
*9150	-----	Oscillating Rock Shaft.....
9151	7315	Oscillating Rock Shaft complete, Nos. 654C, 9115, 9150, 11165 and two 1503E.....
9115	7315	Oscillating Rock Shaft Hinge Pin.....
1503E	7315	" " " " " " Nut....
654C	7315	" " " " " " Screw
		Bearing.....

From the Librarian: Damaged Needs Copy

No.	Plate	Name
1503E	7315	Oscillating Rock Shaft Hinge Pin Screw Bearing Nut.....
11165	7315	Oscillating Rock Shaft Oil Pad (felt)...
9116	7315	" Shaft.....
9152	7315	" " Collar with two 448C..
448C	7315	" " " Set Screw.....
9153	7315	" " Crank.....
9154	7315	Oscillating Shaft Crank complete, Nos. 445C, 1513J, 9120 and 9153.....
9216	7315	Oscillating Shaft Crank Pin.....
445C	7315	" " " Set Screw.....
9119	7315	" " " Slide Block....
9120	-----	Oscillating Shaft Crank Slide Block com- plete, Nos. 190E, 1016C, 5968 and 9119
190E	7315	Oscillating Shaft Crank Slide Block Cap Screw.....
5968	7315	Oscillating Shaft Crank Slide Block Cap Screw Washer.....
1016C	7315	Oscillating Shaft Crank Slide Block Screw Stud.....
1513J	7315	Oscillating Shaft Crank Slide Block Screw Stud Nut.....
11910	7316	Shuttle Bobbin.....
19977	7316	" Cylinder.....
58213	7316	" " 19977 with 773F and 19979.....
58527	7316	Shuttle Cylinder Hinge Pin.....
58626	7316	" " Latch.....
12002	7316	" " " Pin.....
122419	7316	" " " Spring.....
58523	7316	" Frame.....
58524	-----	" " 58523 with 12002, 58626 and 122419.....
773F	7316	Shuttle Tension Regulating Screw.....
19979	7316	" " Spring.....
58525	7316	Shuttle (cylinder) 3 in. diam., complete, Nos. 11910, 58213, 58524 and 58527..
134068	7315	Shuttle Driver with 445C, for sizes up to and including No. 27 Needle.....
9216	7315	Shuttle Driver Pin.....
445C	7315	" " Set Screw.....
64243	7315	" Race Back.....
11833	7315	" " " Position Pin.....
19577	7315	" " " Spring.....
32D	7315	" " " Screw.....
64242	7315	" " Body.....
64244	-----	Shuttle Race (flexible back) complete, Nos. 32D, 19577, 64242, 64243 and two 11833.....
9099	7315	Shuttle Race Frame with 11838.....

No.	Plate	Name
123E	7315	Shuttle Race Frame Clamping Screw.....
11838	7315	" " " Position Pin.....
134E	7315	" " Screw.....
64001	7321	" " Slide (left).....
9121	7321	" " " (right).....
64195	7324	Tension Bracket and Vibrating Presser Bar Cap with 11424 and 64196.....
134E	7324	Tension Bracket and Vibrating Presser Bar Cap Screw (left).....
145E	7324	Tension Bracket and Vibrating Presser Bar Cap Screw (right).....
8786	7324	Tension Disc.....
1535E	7324	" Regulating Thumb Nut.....
8787	7324	" " " " Washer.....
406C	7324	" Screw Stud.....
19686	7324	" Spring.....
64194	7324	Tension complete, Nos. 406C, 1535E, 8787, 19686 and two 8786.....
11424	7324	Thread Eyelet (front of arm).....
11425	7324	" " (side of arm).....
64196	7324	" Guard.....
130812	7324	" Guide.....
190U	7324	" " Screw.....
64197	7324	" Nipper.....
64198	7324	" " Plate.....
1443J	7324	" " " Screw.....
2102	7324	" Retaining Disc.....
1560C	7324	" " Regulating Thumb Nut.....
8905	7324	" " " " " Washer.....
408E	7324	Thread Retaining Screw Stud.....
58600	-----	" " " " 408E with 1560C.....
2103	7324	Thread Retaining Spring.....
11426	7324	Thread Retainer complete, Nos. 2103, 8905, 58600 and two 2102.....
64199	7314	Thread Take-up Cam with two 432C.....
16924	7314	" " " Pin.....
432C	7314	" " " Set Screw.....
64200	7314	" " Lever with 1513J, 1865 and two 9219.....
64201	-----	Thread Take-up Lever 64200 with 10D....
10D	7314	" " " Hinge Screw.....
1865	7314	" " " Roller and Screw Stud
1513J	7314	" " " " " " " Nut.....
9219	7314	Thread Take-up Lever Thread Eyelet Bush- ing.....
16947	7324	Thread Take-up Spring.....
8077	7324	" " " Hook for 43157....



No.	Plate	Name
19614	7324	Thread Take-up Spring Hook for 64195....
43157	7324	" " " Lever with 8077...
64202	7324	" " " Regulator Plate...
199E	7324	" " " " " "
		Screw.....
64203	7324	Thread Take-up Staple.....
164E	7324	" " " Screw.....
41544	7324	" " " " Washer.....
134065	7313	Throat Plate Body.....
134066	7313	" " Needle Plate.....
231F	7313	" " " " Screw.....
64206	7313	" " Support.....
1186E	7313	" " " Screw.....
134067	7313	Throat Plate complete for 64155, Nos. 231F, 64206, 134065, 134066 and two 1186E.....
51269D	7313	Throat Plate Screw.....
64208	7322	Vibrating Presser Bar with 9040, 134033 and two each 233E and 9291.....
64209	7322	Vibrating Presser Bar Cap (lower) with 19614.....
180E	7322	Vibrating Presser Bar Cap (lower) Screw (left).....
145E	7322	Vibrating Presser Bar Cap (lower) Screw (right).....
134033	7322	Vibrating Presser Bar Cushion (rawhide).
233E	7322	" " " " Screw.....
64210	7322	" " " Hinge Bracket.....
8734	7322	" " " Spring.....
9040	7322	" " " " Bracket with 19614.....
9291	7322	Vibrating Presser Bar Spring Bracket Rivet.....
19614	7322	Vibrating Presser Bar Spring Hook.....
134073	7313	" " Foot Plate.....
134030	7313	" " " " Hinge Pin..
465C	7313	" " " " " " "
		Set Screw.....
134031	7313	Vibrating Presser Foot Plate Shank with 465C.....
24872	7313	Vibrating Presser Foot Plate Spring.....
134074	7313	Vibrating Presser Foot (hinged) complete, Nos. 24872, 134030, 134031 and 134073.
690E	7313	Vibrating Presser Foot Screw.....
1654E	7313	" " " " Nut.....
*15404	-----	Trade Mark.....
15405	-----	" " Rivet.....

## ACCESSORIES

No.	Plate	Name
120346	23401	Oiler with 120347.....
120347	23401	" Spout, 8 1/2 in. long.....
11831	23401	Screw Driver (large).....
26026	23401	" " (small).....
120571	7316	Shuttle (cylinder) Opener.....
8908	23401	Wrench for 1654.....
8909	23401	" " 1513 and 50323.....
8910	23401	" " 344, 611, 1509 and 1619.....
8911	23401	" " 1503 and 50124.....
19221	23401	" " 51610.....
25200	23401	" " 363.....
49079	23401	" " 50581.....

BOBBIN WINDER  
(SWINGING AUTOMATIC)

No.	Plate	Name
41894	23403	Base with 449C.....
894E	23403	" Screw.....
41895	23403	Bobbin Carrier Key.....
41896	23403	Frame.....
41441	-----	" Hinge Pin.....
449C	22403	" " " Set Screw.....
4784	23403	" Oil Pad.....
41897	23403	" Spring.....
43270	23403	Friction Pulley, Nos. 43271, two 448C and ten 26070.....
43271	23403	Friction Pulley Ring (leather).....
26070	23403	" " " Rivet.....
448C	23403	" " Set Screw.....
41898	23403	Spindle with 41895.....
41557	23403	Stop Latch.....
60630	-----	" " 41557 with 2269 and 41446....
41446	23403	" " Hinge Pin.....
2269	23403	" " Pin.....
134022	23403	Tension Bracket.....
134023	23403	" " 134022 with 637C, 1560C, 2103, 49220 and two 2102.....
162J	23403	Tension Bracket Screw.....
2102	23403	" Disc.....
1560C	23403	" Regulating Thumb Nut.....
637C	23403	" Screw Stud.....
2103	23403	" Spring.....

## BOBBIN WINDER

No.	Plate	Name
49220	23403	Tension Thread Guard.....
41899	23403	Tripping Arm with 176E.....
176E	23403	" " Clamping Screw.....
41900	23403	Bobbin Winder complete, Nos. 41441, 41894, 41896 to 41899, 43270, 60630 and two 4784.....
64220	23403	Bobbin Winder Bracket.....
50124D	23403	" " " Screw.....
9842	23403	" " " " Washer.....

## THREAD UNWINDER

No.	Plate	Name
225257	23403	Spool Rest with 201018C.....
201018C	23403	" " Set Screw.....
202490	23403	" Stand with 200383C.....
27559	23403	Thread Guard.....
27563	23403	" " Hub.....
330J	23403	" " Set Screw.....
27693	23403	" " Rod, 37 in. long.....
200383C	23403	" " Set Screw.....
449C	23403	" " Set Screw.....
27561	-----	Thread Guard complete, Nos. 330J, 449C, 27559 and 27563.....
150076	23403	Thread Unwinder complete for two large spools, Nos. 27561, 27693, 202490, 225257 and three wood screws 7/8 in. No. 12 F.H.....
134024	23403	Bobbin Winder (swinging automatic, left hand) complete, Nos. 162J, 41900, 64220, 134023, 150076 and three 894E

## SINGER DRIVING ATTACHMENT

No.	Plate	Name
64085	23402	Balance Wheel with 64216 and two 344C...
64086	-----	" " 64085 with 64046, 64215 and two 1445C.....
25362	-----	Balance Wheel Ball, size 3/16 inch.....
64043	-----	" " " Ring.....
64044	23402	" " " " 64043 with twenty-seven 25362.....
64045	23402	Balance Wheel Ball Washer (left).....
64046	23402	" " " " (right).....

No.	Plate	Name
1445C	23402	Balance Wheel Ball Washer (right) Screw.
344C	23402	" " Set Screw.....
64214	23402	Brake Block (wood).....
58458	23402	" " Stud.....
1036C	23402	" " " Screw.....
64215	23402	Friction Pulley, 14 in. diam., with 8986
8986	23402	" " Center Bearing.....
64216	23402	" " Ring (leather).....
32908	23402	Lever with 1036C and 58458.....
64218	23402	" Bracket.....
489E	23402	" " Bolt with 1522E.....
1522E	23402	" " " Nut.....
134D	23402	" Screw.....
8991	23402	" " Washer.....
8992	23402	" Spring.....
9222	23402	" " Hook.....
1520E	23402	" " " Nut.....
6055	23402	" " " " Washer.....
126036	23402	Treadle.....
126037	-----	" 126036 with 2718, 50581R and 126038
126205	23402	" Bracket (left).....
126206	23402	Treadle Bracket (left) complete, Nos. 23258, 126205, 126207, 126208 and two wood screws 1 inch No. 14.....
126207	23402	Treadle Bracket (left) Hook.....
23258	23402	" " " " Friction Washer.....
126208	23402	Treadle Bracket (left) Hook Rivet.....
46681	-----	" " (right).....
60502	23402	" " " 46681 with two wood screws 1 in. No. 14.....
126038	23402	Treadle Extension.....
50581R	23402	" " Screw.....
2718	23402	" " " Washer.....
60858	23402	" Hanging Hook.....
27639	23402	" Pitman Rod.....
80223	23402	" " " Clamp with 354C.....
354C	23402	" " " " Screw.....
60626	23402	Treadle Pitman complete, Nos. 80223 and two 27639.....
2762	23402	Treadle Stop Collar with 362C.....
362C	23402	" " " Set Screw.....
126211	23402	Treadle complete, Nos. 60502, 126037 and 126206.....
126212	-----	Treadle and Pitman complete, Nos. 60626, 60858 and 126211.....
64219	23402	Driving Attachment complete, Nos. 134D, 1520E, 6055, 8991, 8992, 9222, 32908, 64044, 64045, 64086, 64214, 64218, 126212 and two 489E.....

From the Library of the Needle Collector

## FOOT LIFTER TREADLE AND PITMAN

No.	Plate	Name
64226	23402	Treadle (wood).....
14673	23402	" Eyelet.....
342E	23402	" " Screw.....
9842	23402	" " " Washer.....
14674	23402	" Hinge.....
64227	23402	" Pitman Rod (lower).....
64228	23402	" " " (upper).....
64229	23402	" " " " Spring.....
24384	23402	" " " " " Collar with 1157C.....
1157C	23402	Treadle Pitman Rod (upper) Spring Collar Set Screw.....
9842	23402	Treadle Pitman Rod (upper) Spring Washer
80223	23402	" " " Clamp with 354C.....
354C	23402	" " " " Screw.....
64230	23402	Treadle Pitman Rod complete, Nos. 9842, 64227 to 64229, 80223 and two 24384.
64231	23402	Treadle and Pitman Rod complete, Nos. 342E, 9842, 14673, 14674, 64226, 64230 and six wood screws 1 1/4 in. No. 10

Genuine Singer Needles should be used  
in Singer Machines.  
These Needles and their Containers  
are marked with the  
Company's Trade Mark "SIMANCO." 1

Needles in Containers marked  
"For Singer Machines"  
are not Singer made needles. 2

## NUMERICAL LIST OF PARTS

## NUMERICAL LIST OF PARTS

No.	Plate	Name
10D	7314	Thread Take-up Lever Hinge Screw for 64201.....
23F	7322	Lifting Presser Bar Lifting Lever Connecting Rod Bracket Hinge Screw.....
32D	7315	Shuttle Race Back Spring Screw for 64244
65D	7321	Arm Side Cover Hinge Screw.....
123E	7315	Shuttle Race Frame Clamping Screw.....
129E	7322	Lifting Presser Bar Clamping Screw for 64165.....
131E	7317	Blower Fan Case (front half) Cover Screw for 134026.....
134E	7315	Feed Lifting Rock Shaft Wearing Block Screw for 64014.....
134E	7322	Lifting Presser Bar Rock Shaft Bracket Screw (left).....
134E	7315	Shuttle Race Screw.....
134D	23402	Singer Driving Attachment Lever Screw for 64219 .....
134E	7324	Tension Bracket and Vibrating Presser Bar Cap Screw (left).....
145E	7324	Tension Bracket and Vibrating Presser Bar Cap Screw (right).....
145E	7322	Vibrating Presser Bar Cap (lower) Screw (right).....
149F	7322	Needle Clamp Screw for 64193.....
162J	23403	Bobbin Winder Tension Bracket Screw for 134024.....
162J	7318	Drill Belt Guard Extension Screw for 134049.....
164D	7313	Lifting Presser Foot Screw for 134072...
164E	7324	Thread Take-up Staple Screw.....
176E	23403	Bobbin Winder Tripping Arm Clamping Screw for 41899.....
180E	7322	Vibrating Presser Bar Cap (lower) Screw (left).....
190E	7317	Blower Fan Case Screw for 134026.....
190J	7318	Drill Belt Guard Belt Guide Screw.....
190J	7319	" Spindle Driving Gear Shaft Ball Bearing (back) Washer Screw for 134007.....
190J	7319	Drill Spindle Driving Gear Shaft Ball Bearing (front) Cover Screw for 134007.....
190J	7319	Drill Spindle Pinion Housing Cover Screw for 134007.....
190J	7319	Drill Spindle Pinion Shaft Ball Bearing (lower) Washer Screw for 134007.....

## NUMERICAL LIST OF PARTS

No.	Plate	Name
190J	7319	Drill Spindle Protector Sleeve Screw for 134007.....
190E	7315	Oscillating Shaft Crank Slide Block Cap Screw for 9120.....
190J	7324	Thread Guide Screw.....
199E	7324	" Take-up Spring Regulator Plate Screw.....
231F	7313	Throat Plate Needle Plate Screw for 134067.....
233E	7322	Vibrating Presser Bar Cushion Screw for 64208.....
254D	7323	Guide Thumb Screw.....
257E	7322	Lifting Presser Bar Screw Bushing.....
257E	7322	Needle Bar Screw Bushing.....
294C	7315	Feed Lifting Rock Shaft Screw Center (right).....
307C	7315	Feed Bar Screw Center for 56814.....
330J	23403	Thread Unwinder Thread Guard Hub Set Screw for 27561.....
342E	23402	Foot Lifter Treadle and Pitman Treadle Eyelet Screw for 64231.....
344C	23402	Balance Wheel Set Screw for 64085.....
344C	23402	Singer Driving Attachment Balance Wheel Set Screw for 64085.....
354C	23402	Foot Lifter Treadle and Pitman Treadle Pitman Rod Clamp Screw for 80223....
354C	23402	Singer Driving Attachment Treadle Pitman Rod Clamp Screw for 80223.....
362C	23402	Singer Driving Attachment Treadle Stop Collar Set Screw for 2762.....
363C	7322	Lifting Presser Bar Rock Shaft Crank Set Screw for 134062.....
369C	7314	Crank Connecting Rod Hinge Screw.....
369C	7314	Feed Connecting Link Hinge Screw (feed forked connection end).....
369C	7314	Feed Forked Connection Hinge Screw for 64157.....
370C	7322	Needle Bar Connecting Link Hinge Screw..
406C	7324	Tension Screw Stud for 64194.....
408E	7324	Thread Retaining Screw Stud for 58600...
432C	7314	Feed Cam Set Screw for 8994.....
432C	7314	Thread Take-up Cam Set Screw for 64199..
434C	7314	Arm Shaft Bushing Set Screw.....
443C	7323	Lifting Presser Bar Lifting Lever Hinge Stud Set Screw.....
445C	7322	Lifting Presser Bar Rock Shaft Adjusting Arm Set Screw for 64171.....
445C	7315	Oscillating Shaft Crank Set Screw for 9154.....
445C	7315	Shuttle Driver Set Screw for 134068.....

## NUMERICAL LIST OF PARTS

No.	Plate	Name
446C	7319	Drill Spindle Driving Gear Shaft Ball Bearing (back) Grease Packing Collar Set Screw for 134006.....
446C	7317	Blower Fan Set Screw for 64088.....
446C	23403	Bobbin Winder Friction Pulley Set Screw for 43270.....
446C	7315	Oscillating Shaft Collar Set Screw for 9152.....
449C	23403	Bobbin Winder Frame Hinge Pin Set Screw for 41894.....
449C	23403	Thread Unwinder Thread Guard Set Screw for 27561.....
452C	7319	Drill Spindle Thrust Bearing Ball Ring Body Set Screw for 134037.....
457C	7319	Drill Spindle Collar Set Screw for 64141
465C	7313	Vibrating Presser Foot Plate Hinge Pin Set Screw for 134031.....
489E	23402	Singer Driving Attachment Lever Bracket Bolt with 1522E, for 64219.....
524C	7322	Lifting Presser Bar Bell Crank Hinge Cap Screw.....
575E	7314	Crank Connecting Rod Cap Screw for 64106
611D	7315	Feed Lifting Rock Shaft Crank Clamping Screw for 64016.....
637C	23403	Bobbin Winder Tension Screw Stud for 134023.....
654C	7315	Oscillating Rock Shaft Hinge Pin Screw Bearing for 9151.....
690E	7313	Vibrating Presser Foot Screw.....
742F	7320	Drill Safety Guard Bracket Plate Screw for 64133.....
773F	7316	Shuttle Tension Regulating Screw for 58213.....
779E	7322	Lifting Presser Bar Rock Shaft Bracket Screw (right).....
791C	7319	Drill Spindle Collar Position Screw for 64141.....
791C	7319	Drill Spindle Thrust Bearing Ball Ring Body Position Screw for 134037.....
795C	7318	Drill Belt Guard Set Screw for 134002...
888C	7319	" Spindle Driving Gear Position Screw for 134011.....
894E	23403	Bobbin Winder Base Screw for 134024.....
898E	7320	Blower Nozzle Bracket Screw.....
948E	7317	" Fan Driving Shaft Bracket Screw for 134001.....
948E	7317	Blower Screw.....
948E	7319	Drill Spindle Pinion Housing Screw.....
962C	7315	Feed Lifting Rock Shaft Crank Roller Screw for 1926.....

## NUMERICAL LIST OF PARTS

No.	Plate	Name
966E	7320	Face Plate Screw.....
1015C	7315	Feed Lifting Rock Shaft Screw Center (left).....
1015C	7315	Feed Rock Shaft Screw Center.....
1016C	7315	Oscillating Shaft Crank Slide Block Screw Stud for 9120.....
1036C	7319	Drill Spindle Pinion Set Screw for 134005.....
1036C	23402	Singer Driving Attachment Brake Block Stud Screw for 32908.....
1037C	7319	Drill Spindle Pinion Position Screw for 134005.....
1078C	7314	Feed Connecting Link Hinge Screw (regu- lator end) for 64157.....
1149C	7322	Needle Bar Connecting Stud Clamping Screw for 9246.....
1157C	23402	Foot Lifter Treadle and Pitman Treadle Pitman Rod (upper) Spring Collar Set Screw for 24384.....
1177E	7323	Lifting Presser Bar Spring Bracket Screw
1186E	7313	Throat Plate Support Screw for 134067...
1346E	7320	Drill Safety Guard Bracket Hinge Screw Stud Bracket Screw.....
1396E	7322	Lifting Presser Bar Rock Shaft Crank Clamping Screw for 134062.....
1396J	7313	Lifting Presser Foot Holder Clamping Screw for 134071.....
1410E	7320	Drill Safety Guard Bracket Hinge Screw Stud Cap Screw.....
1423J	7320	Drill Lubricator Oil Pad Holder Screw for 64127.....
1443J	7324	Thread Nipper Plate Screw.....
1445C	23402	Balance Wheel Ball Washer (right) Screw for 64086.....
1445C	23402	Singer Driving Attachment Balance Wheel Ball Washer (right) Screw for 64086.
1497E	7320	Drill Lubricator Oil Pad Holder Arm Driving Bracket Set Screw for 64128.
1497E	7319	Drill Spindle Lifting Arm Set Screw for 64149.....
1503E	7315	Feed Lifting Rock Shaft Screw Center (left) Nut.....
1503E	7315	Feed Lifting Rock Shaft Screw Center (right) Nut.....
1503E	7315	Feed Rock Shaft Screw Center Nut.....
1503E	7315	Oscillating Rock Shaft Hinge Pin Nut for 9151.....
1503E	7315	Oscillating Rock Shaft Hinge Pin Screw Bearing Nut for 9151.....
1509E	7314	Crank Connecting Rod Hinge Screw Nut....

## NUMERICAL LIST OF PARTS

No.	Plate	Name
1509E	7314	Feed Connecting Link Hinge Screw Nut....
1509C	7314	" Forked Connection Hinge Screw Nut for 64157.....
1509E	7322	Needle Bar Connecting Link Hinge Screw Nut.....
1512E	7322	Lifting Presser Bar Rock Shaft Crank Roller Screw Nut.....
1513J	7315	Feed Bar Screw Center Nut for 56814.....
1513C	7322	Lifting Presser Bar Bell Crank Lifting Roller Screw Nut.....
1513J	7322	Lifting Presser Bar Rock Shaft Eccentric Strap Hinge Screw Nut.....
1513J	7315	Oscillating Shaft Crank Slide Block Screw Stud Nut for 9154.....
1513J	7314	Thread Take-up Lever Roller and Screw Stud Nut for 64200.....
1520J	7320	Drill Safety Guard Bracket Hinge Screw Stud Nut.....
1520E	7323	Lifting Presser Bar Lifting Lever Con- necting Rod Nut.....
1520E	23402	Singer Driving Attachment Lever Spring Hook Nut for 64219.....
1522E	23402	Singer Driving Attachment Lever Bracket Bolt Nut for 489E.....
1535E	7324	Tension Regulating Thumb Nut for 64194
1560C	23403	Bobbin Winder Tension Regulating Thumb Nut for 134023.....
1560C	7324	Thread Retaining Regulating Thumb Nut for 58600.....
1619E	7315	Feed Lifting Rock Shaft Crank Roller Screw Nut for 64016.....
1650E	7322	Lifting Presser Bar Rock Shaft Eccentric Strap Clamping Screw Nut for 64174
1654E	7313	Vibrating Presser Foot Screw Nut.....
1700J	7320	Drill Lubricator Oil Pad Holder Arm Roller and Screw Stud Nut for 64128.
1865	7314	Thread Take-up Lever Roller and Screw Stud for 64200.....
1915	7320	Drill Lubricator Oil Pad Holder Arm Roller and Screw Stud for 64128.....
1926	7315	Feed Lifting Rock Shaft Crank Roller with 962C, for 64016.....
2022	7315	Feed Lifting Rock Shaft Wearing Block Position Pin for 64014.....
2049	7320	Drill Safety Guard Bracket Hinge Screw Stud Bracket Dowel Pin.....
2102	23403	Bobbin Winder Tension Disc for 134023...
2102	7324	Thread Retaining Disc for 11426.....
2103	23403	Bobbin Winder Tension Spring for 134023.
2103	7324	Thread Retaining Spring for 11426.....

## NUMERICAL LIST OF PARTS

No.	Plate	Name
2269	23403	Bobbin Winder Stop Latch Pin for 60630..
2718	23402	Singer Driving Attachment Treadle Extension Screw Washer for 126037.....
2762	23402	Singer Driving Attachment Treadle Stop Collar with 362C .....
2818	7320	Drill Safety Guard Bracket Hinge Screw Stud Friction Washer.....
4389	7322	Lifting Presser Bar Rock Shaft Bracket Dowel Pin (left).....
4784	23403	Bobbin Winder Frame Oil Pad for 41900...
5965	7319	Drill Spindle Pinion Oil Guard Pin for 134050.....
5968	7315	Oscillating Shaft Crank Slide Block Cap Screw Washer for 9120.....
6055	23402	Singer Driving Attachment Lever Spring Hook Nut Washer for 64219.....
8077	7324	Thread Take-up Spring Hook for 43157....
8734	7322	Vibrating Presser Bar Spring.....
8786	7324	Tension Disc for 64194.....
8787	7324	" Regulating Thumb Nut Washer for 64194.....
8905	7324	Thread Retaining Regulating Thumb Nut Washer for 11426.....
8908	23401	Wrench for 1654 (Accessories).....
8909	23401	" " 1513 and 50323 (Accessories)
8910	23401	" " 344, 611, 1509 and 1619 (Accessories).....
8911	23401	Wrench for 1503 and 50124 (Accessories)
8927	7314	Feed Connecting Link for 64157.....
8930	7314	" Regulator for 64157.....
8986	23402	Singer Driving Attachment Friction Pulley Center Bearing for 64215.....
8991	23402	Singer Driving Attachment Lever Screw Washer for 64219.....
8992	23402	Singer Driving Attachment Lever Spring for 64219.....
8994	7314	Feed Cam with three 432C .....
9040	7322	Vibrating Presser Bar Spring Bracket with 19614, for 64208.....
9047	7315	Feed Bar.....
9054	7315	" Rock Shaft for 64017.....
9099	7315	Shuttle Race Frame with 11838.....
9105	7321	Arm Side Cover.....
9115	7315	Oscillating Rock Shaft Hinge Pin for 9151.....
9116	7315	Oscillating Shaft.....
9119	7315	" " Crank Slide Block for 9120.....
9120	-----	Oscillating Shaft Crank Slide Block complete for 9154, Nos. 190E,1016C,5968 and 9119.....

## NUMERICAL LIST OF PARTS

No.	Plate	Name
9121	7321	Shuttle Race Slide (right).....
*9150	-----	Oscillating Rock Shaft for 9151.....
9151	7315	Oscillating Rock Shaft complete, Nos. 654C,9115,9150,11165 and two 1503E..
9152	7315	Oscillating Shaft Collar with two 448C..
9153	7315	" " Crank for 9154.....
9154	7315	Oscillating Shaft Crank complete, Nos. 445C, 1513J, 9120 and 9153.....
9207	7323	Arm Oil Tube for oiling Oscillating Rock Shaft.....
9208	7314	Arm Shaft Bushing.....
9211	7315	Feed Rock Shaft Crank with 50124D, for 64017.....
9216	7322	Lifting Presser Bar Rock Shaft Adjusting Arm Pin.....
9216	7322	Lifting Presser Bar Rock Shaft Crank Pin
9216	7315	Oscillating Shaft Crank Pin.....
9216	7315	Shuttle Driver Pin.....
9219	7314	Thread Take-up Lever Thread Eyelet Bushing for 64200.....
9222	23402	Singer Driving Attachment Lever Spring Hook for 64219.....
9246	7322	Needle Bar Connecting Stud with two 1149C, for 134041.....
9291	7322	Vibrating Presser Bar Spring Bracket Rivet for 64208.....
9842	23403	Bobbin Winder Bracket Screw Washer.....
9842	23402	Foot Lifter Treadle and Pitman Treadle Eyelet Screw Washer for 64231.....
9842	23402	Foot Lifter Treadle and Pitman Treadle Pitman Rod (upper) Spring Washer for 64230.....
11165	7315	Oscillating Rock Shaft Oil Pad (felt) for 9151.....
11424	7324	Thread Eyelet (front of arm) for 64195..
11425	7324	" " (side of arm).....
11426	7324	Thread Retainer complete, Nos.2103,8905, 58600 and two 2102.....
11661	7322	Lifting Presser Bar Rock Shaft Bracket Dowel Pin (right).....
11661	7323	Lifting Presser Bar Spring Pin.....
11831	23401	Screw Driver (large) Accessories.....
11833	7315	Shuttle Race Back Position Pin for 64244
11838	7315	" " Frame Position Pin for 9099
11910	7316	" Bobbin for 58525.....
12002	7316	" Cylinder Latch Pin for 58524....
14673	23402	Foot Lifter Treadle and Pitman Treadle Eyelet for 64231.....
14674	23402	Foot Lifter Treadle and Pitman Treadle Hinge for 64231.....

No.	Plate	Name
*15404	-----	Trade Mark for 64083.....
15405	-----	" " Rivet for 64083.....
16924	7314	Thread Take-up Cam Pin.....
16947	7324	" " Spring.....
16994	7322	Lifting Presser Bar.....
17738	7313	Feed Dog Screw Washer.....
19221	23401	Wrench for 51610 (Accessories).....
19577	7315	Shuttle Race Back Spring for 64244.....
19614	7324	Thread Take-up Spring Hook for 64195....
19614	7322	Vibrating Presser Bar Spring Hook for 9040 and 64209.....
19686	7324	Tension Spring for 64194.....
19785	7323	Arm Dowel Pin.....
19967	7315	Feed Lifting Rock Shaft Wearing Block for 64014.....
19977	7316	Shuttle Cylinder for 58213.....
19979	7316	" Tension Spring for 58213.....
23258	23402	Singer Driving Attachment Treadle Bracket (left) Hook Friction Washer for 126206.....
24384	23402	Foot Lifter Treadle and Pitman Treadle Pitman Rod (upper) Spring Collar with 1157C, for 64230.....
24872	7313	Vibrating Presser Foot Plate Spring for 134074.....
25200	23401	Wrench for 363 (Accessories).....
25362	-----	Balance Wheel Ball, size 3/16 in. for 64044.....
25362	-----	Singer Driving Attachment Balance Wheel Ball, size 3/16 in. for 64044.....
26026	23401	Screw Driver (small) Accessories.....
26070	23403	Bobbin Winder Friction Pulley Ring Rivet for 43270.....
27559	23403	Thread Unwinder Thread Guard for 27561..
27561	-----	Thread Unwinder Thread Guard complete for 150076, Nos. 330J, 449C, 27559 and 27563.....
27563	23403	Thread Unwinder Thread Guard Hub for 27561.....
27639	23402	Singer Driving Attachment Treadle Pitman Rod for 60626.....
27693	23403	Thread Unwinder Thread Guard Rod, 37 in. long, for 150076.....
32908	23402	Singer Driving Attachment Lever with 1036C and 58458, for 64219.....
41441	-----	Bobbin Winder Frame Hinge Pin for 41900.
41446	23403	" " Stop Latch Hinge Pin for 60630.....
41544	7324	Thread Take-up Staple Screw Washer.....
41557	23403	Bobbin Winder Stop Latch for 60630.....

No.	Plate	Name
41672	7319	Drill Spindle Thrust Bearing Ball Ring..
41894	23403	Bobbin Winder Base with 449C, for 41900.
41895	23403	" " Bobbin Carrier Key for 41898
41896	23403	" " Frame for 41900.....
41897	23403	" " Spring for 41900.....
41898	23403	" " Spindle with 41895 for 41900
41399	23403	" " Tripping Arm with 176E, for 41900.....
41900	23403	Bobbin Winder complete for 134024, Nos. 41441, 41894, 41896 to 41899, 43270, 60630 and two 4784.....
42523	7323	Lifting Presser Bar Lifting Lever Con- necting Rod Nut Washer.....
42830	7323	Lifting Presser Bar Lifting Lever Con- necting Rod Cotter Pin.....
43157	7324	Thread Take-up Spring Lever with 8077..
43263	7323	Arm Screw Washer.....
43270	23403	Bobbin Winder Friction Pulley for 41900, Nos. 43271, two 448C and ten 26070..
43271	23403	Bobbin Winder Friction Pulley Ring (leather) for 43270.....
46681	-----	Singer Driving Attachment Treadle Bracket (right) for 60502.....
49079	23401	Wrench for 50581 (Accessories).....
49220	23403	Bobbin Winder Tension Thread Guard for 134023.....
50084C	7317	Blower Fan Driving Shaft Pulley Set Screw for 64250.....
50084C	7317	Drill Driving Pulley Set Screw for 134004.....
50084C	7319	Drill Spindle Driving Gear Shaft Pulley Set Screw for 134018.....
50124D	23403	Bobbin Winder Bracket Screw.....
50124D	7315	Feed Rock Shaft Crank Clamping Screw for 9211.....
50150C	7320	Drill Safety Guard Bracket Hinge Screw Stud Collar Set Screw for 66581.....
50262D	7314	Arm Shaft Screw.....
50323E	7323	Lifting Presser Bar Spring Regulating Screw.....
50345E	7323	Arm Screw.....
50351D	7322	Lifting Presser Bar Rock Shaft Eccentric Strap Clamping Screw for 64174.....
50422C	7319	Drill Spindle Driving Gear Set Screw for 134011.....
50529E	7314	Feed Regulator Hinge Screw.....
50581E	7313	Feed Dog Screw.....
50581R	23402	Singer Driving Attachment Treadle Extension Screw for 126037.....
51265J	7317	Blower Fan Driving Shaft Ball Bearing Washer Screw for 134001.....



No.	Plate	Name
51266D	7314	Feed Regulator Thumb Screw with 64158...
51267D	7322	Lifting Presser Bar Bell Crank Lifting Roller Screw for 64163.....
51268C	7322	Lifting Presser Bar Rock Shaft Eccentric Strap Hinge Screw.....
51269D	7313	Throat Plate Screw.....
51610C	7319	Drill Clamping Nut.....
51881	7322	Lifting Presser Bar Bell Crank Lifting Roller for 64163.....
51925	7322	Lifting Presser Bar Rock Shaft Crank Roller.....
56814	-----	Feed Bar Screw Center 307C with 1513J...
58213	7316	Shuttle Cylinder 19977 with 773F and 19979, for 58525.....
58458	23402	Singer Driving Attachment Brake Block Stud for 32908.....
58523	7316	Shuttle Frame for 58524.....
58524	-----	" " 58523 with 12002, 58626 and 122419, for 58525.....
58525	7316	Shuttle (cylinder) 3 in. diam. complete, Nos. 11910, 58213, 58524 and 58527..
58527	7316	Shuttle Cylinder Hinge Pin for 58525....
58600	-----	Thread Retaining Screw Stud 408E with 1560C, for 11426.....
58626	7316	Shuttle Cylinder Latch for 58524.....
58868	7314	Balance Wheel Key.....
60502	23402	Singer Driving Attachment Treadle Brack- et (right) 46681 with two wood screws 1 in. No. 14, for 126211.....
60626	23402	Singer Driving Attachment Treadle Pitman complete for 126212, Nos. 80223 and two 27639.....
60630	-----	Bobbin Winder Stop Latch 41557 with 2269 and 41446, for 41900.....
60858	23402	Singer Driving Attachment Treadle Hang- ing Hook for 126212.....
64001	7321	Shuttle Race Slide (left).....
64014	7315	Feed Lifting Rock Shaft with 134E, 2022 and 19967, for 64015.....
64015	7315	Feed Lifting Rock Shaft complete, Nos. 64014 and 64016.....
64016	7315	Feed Lifting Rock Shaft Crank with 611D, 1619E and 1926, for 64015.....
64017	-----	Feed Rock Shaft complete, Nos. 9054 and 9211.....
64043	-----	Balance Wheel Ball Ring for 64044.....
64043	-----	Singer Driving Attachment Balance Wheel Ball Ring for 64044.....
64044	23402	Balance Wheel Ball Ring 64043 with twenty-seven 25362.....

No.	Plate	Name
64044	23402	Singer Driving Attachment Balance Wheel Ball Ring 64043 with twenty-seven 25362, for 64219.....
64045	23402	Balance Wheel Ball Washer (left).....
64045	23402	Singer Driving Attachment Balance Wheel Ball Washer (left) for 64219.....
64046	23402	Balance Wheel Ball Washer (right) for 64086.....
64046	23402	Singer Driving Attachment Balance Wheel Ball Washer (right) for 64086.....
*64083	-----	Arm with 15404 and two 15405.....
64084	7314	" Shaft.....
64085	23402	Balance Wheel with 64216 and two 344C, for 64086.....
64085	23402	Singer Driving Attachment Balance Wheel with 64216 and two 344C, for 64086..
64086	-----	Balance Wheel 64085 with 64046, 64215 and two 1445C.....
64086	-----	Singer Driving Attachment Balance Wheel 64085 with 64046, 64215 and two 1445C, for 64219.....
*64087	-----	Bed.....
64088	7317	Blower Fan with two 448C, for 134001...
64089	7317	" " Case (back half) for 134026..
64090	7317	" " " (front half) for 134026.
64096	7317	" " Driving Shaft Ball Bearing Grease Tube for 64097.....
64096	7319	Drill Spindle Driving Gear Shaft Ball Bearing (back) Grease Tube for 64097
64097	-----	Blower Fan Driving Shaft Ball Bearing Grease Tube complete for 134001, Nos. 64096 and 67465.....
64097	-----	Drill Spindle Driving Gear Shaft Ball Bearing (back) Grease Tube complete for 134007, Nos. 64096 and 67465....
64098	7317	Blower Fan Driving Shaft Ball Bearing Washer (inside) for 134001.....
64099	7317	Blower Fan Driving Shaft Ball Bearing Washer (outside) for 134001.....
64102	7318	Blower Hose, 2 in. diam. 38 in. long....
64104	7320	" Nozzle.....
64106	7314	Crank Connecting Rod with two 575E.....
64108	7319	Drill (short shank).....
64123	7320	" Lubricator Oil Pad (felt) lower, for 64127.....
64124	7320	Drill Lubricator Oil Pad (felt) upper, for 64127.....
64125	7320	Drill Lubricator Oil Pad Holder for 64127.....
64126	7320	Drill Lubricator Oil Pad Holder Arm for 64127.....

## NUMERICAL LIST OF PARTS

No.	Plate	Name
64127	7320	Drill Lubricator Oil Pad Holder Arm complete, Nos. 64123 to 64126 and two 1423J.....
64128	7320	Drill Lubricator Oil Pad Holder Arm Driving Bracket with 1700J, 1915 and two 1497E.....
64129	7320	Drill Lubricator Oil Pad Holder Arm Spring.....
64130	7320	Drill Lubricator Oil Pad Holder Arm Spring Plate.....
64131	7320	Drill Safety Guard (glass) for 64133....
64132	7320	" " " Bracket for 64133....
64133	-----	Drill Safety Guard Bracket complete, Nos. 64131, 64132, 64134, two 134047 and three 742F.....
64134	7320	Drill Safety Guard Bracket Plate for 64133.....
64135	7320	Drill Safety Guard Bracket Hinge Screw Stud.....
64136	7320	Drill Safety Guard Bracket Hinge Screw Stud Bracket.....
64139	7319	Drill Spindle Bushing (lower).....
64140	7319	" " " (upper).....
64141	7319	" " Collar with 457C and 791C.
64142	7319	" " " Washer.....
64146	7319	" " Pinion Shaft Ball Bearing (lower) Washer for 134007.....
64149	7319	Drill Spindle Lifting Arm with two 1497E
64152	7320	Face Plate.....
64155	7313	Feed Dog (spiked teeth) 17 teeth (11 teeth to the inch) for 134067.....
64156	7314	Feed Forked Connection for 64157.....
64157	-----	Feed Forked Connection complete, Nos. 369C, 1078C, 8927, 8930, 64156 and two 1509C.....
64158	7314	Feed Regulator Thumb Screw Pin for 51266D.....
64159	7323	Guide.....
64160	7322	Lifting Presser Bar Ball, 7/16 in. diam.
64161	7322	" " " Cup.....
64162	7322	" " " Bell Crank.....
64163	-----	" " " " Lifting Roller Screw 51267D with 51881.....
64164	7322	Lifting Presser Bar Bell Crank Lifting Roller Screw Nut Washer.....
64164	7322	Lifting Presser Bar Rock Shaft Eccentric Strap Hinge Screw Nut Washer.....
64165	7322	Lifting Presser Bar Bracket with two 129E.....
64166	7323	Lifting Presser Bar Lifting Lever.....

## NUMERICAL LIST OF PARTS

No.	Plate	Name
64167	7323	Lifting Presser Bar Lifting Lever Hinge Stud.....
64168	7323	Lifting Presser Bar Lifting Lever Connecting Rod.....
64169	7322	Lifting Presser Bar Lifting Lever Connecting Rod Bracket.....
64170	7322	Lifting Presser Bar Rock Shaft.....
64171	7322	" " " " " Adjusting Arm with 445C.....
64172	7322	Lifting Presser Bar Rock Shaft Bracket..
64174	7322	" " " " " Eccentric Strap with two each 1650E and 50351D
64175	7322	Lifting Presser Bar Rock Shaft Eccentric Strap Hinge Screw Slide.....
64176	7322	Lifting Presser Bar Sleeve (lower).....
64177	7322	" " " " " (upper).....
64178	7323	" " " Spring (flat).....
64181	7313	" " Foot Drill Bushing for 134070.....
64190	7322	Needle Bar.....
64193	7322	" " Clamp with 149F.....
64194	7324	Tension complete, Nos. 406C, 1535E, 8787, 19686 and two 8786.....
64195	7324	Tension Bracket and Vibrating Presser Bar Cap with 11424 and 64196.....
64196	7324	Thread Guard for 64195.....
64197	7324	" Nipper.....
64198	7324	" " Plate.....
64199	7314	" Take-up Cam with two 432C.....
64200	7314	" " Lever with 1513J, 1865 and two 9219, for 64201.....
64201	-----	Thread Take-up Lever 64200 with 10D.....
64202	7324	" " Spring Regulator Plate...
64203	7324	" " Staple.....
64206	7313	Throat Plate Support for 134067.....
64208	7322	Vibrating Presser Bar with 9040, 134033 and two each 233E and 9291.....
64209	7322	Vibrating Presser Bar Cap (lower) with 19614.....
64210	7322	Vibrating Presser Bar Hinge Bracket....
64214	23402	Singer Driving Attachment Brake Block (wood) for 64219.....
64215	23402	Singer Driving Attachment Friction Pulley, 14 in. diam. with 8986, for 64086.....
64216	23402	Singer Driving Attachment Friction Pulley Ring (leather) for 64085.....
64218	23402	Singer Driving Attachment Lever Bracket for 64219.....

No.	Plate	Name
64219	23402	Singer Driving Attachment complete, Nos. 134D, 1520E, 6055, 8991, 8992, 9222, 32908, 64044, 64045, 64086, 64214, 64218, 126212 and two 489E.....
64220	23403	Bobbin Winder Bracket for 134024.....
64226	23402	Foot Lifter Treadle and Pitman Treadle (wood) for 64231.....
64227	23402	Foot Lifter Treadle and Pitman Treadle Pitman Rod (lower) for 64230.....
64228	23402	Foot Lifter Treadle and Pitman Treadle Pitman Rod (upper) for 64230.....
64229	23402	Foot Lifter Treadle and Pitman Treadle Pitman Rod (upper) Spring for 64230.....
64230	23402	Foot Lifter Treadle and Pitman Treadle Pitman Rod complete for 64231, Nos. 9842, 64227 to 64229, 80223 and two 24384.....
64231	23402	Foot Lifter Treadle and Pitman Rod complete, Nos. 342E, 9842, 14673, 14674, 64226, 64230 and six wood screws 1 1/4 in. No. 10.....
64240	-----	Drill (long shank)
64242	7315	Shuttle Race Body for 64244.....
64243	7315	" " Back for 64244.....
64244	-----	Shuttle Race (flexible back) complete, Nos. 32D, 19577, 64242, 64243 and two 11833.....
64248	7317	Blower Fan Driving Shaft for 134044.....
64249	7317	" " " Bracket for 134001.....
64250	7317	Blower Fan Driving Shaft Pulley (double grooved) 3 3/4 in. diam., with two 50084C, for 134001.....
66581	7320	Drill Safety Guard Bracket Hinge Screw Stud Collar with two 50150C.....
67337	7317	Blower Fan Driving Shaft Ball Bearing for 134044.....
67337	7319	Drill Spindle Driving Gear Shaft Ball Bearing (back) for 134046.....
67337	7319	Drill Spindle Driving Gear Shaft Ball Bearing (front) for 134046.....
67337	7319	Drill Spindle Pinion Shaft Ball Bearing (lower) for 134045.....
67337	7319	Drill Spindle Pinion Shaft Ball Bearing (upper) for 134045.....
67465	7317	Blower Fan Driving Shaft Ball Bearing Grease Tube Cup for 64097.....
67465	7319	Drill Spindle Driving Gear Shaft Ball Bearing (back) Grease Tube Cup for 64097.....

No.	Plate	Name
67465	7319	Drill Spindle Driving Gear Shaft Ball Bearing (front) Grease Tube Cup for 134017.....
80223	23402	Foot Lifter Treadle and Pitman Treadle Pitman Rod Clamp with 354C, for 64230.....
80223	23402	Singer Driving Attachment Treadle Pitman Rod Clamp with 354C, for 60626.....
120346	23401	Oiler with 120347 (Accessories).....
120347	23401	" Spout, 8 1/2 in. long, for 120346.....
120571	7316	Shuttle (cylinder) Opener (Accessories)
122419	7316	" Cylinder Latch Spring for 58524.....
126036	23402	Singer Driving Attachment Treadle for 126037.....
126037	-----	Singer Driving Attachment Treadle 126036 with 2718, 50581R and 126038, for 126211.....
126038	23402	Singer Driving Attachment Treadle Extension for 126037.....
126205	23402	Singer Driving Attachment Treadle Bracket (left) for 126206.....
126206	23402	Singer Driving Attachment Treadle Bracket (left) complete for 126211, Nos. 23258, 126205, 126207, 126208 and two wood screws 1 in. No. 14.....
126207	23402	Singer Driving Attachment Treadle Bracket (left) Hook for 126206.....
126208	23402	Singer Driving Attachment Treadle Bracket (left) Hook Rivet for 126206.....
126211	23402	Singer Driving Attachment Treadle complete for 126212, Nos. 60502, 126037 and 126206.....
126212	-----	Singer Driving Attachment Treadle and Pitman complete for 64219, Nos. 60626, 60858 and 126211.....
130812	7324	Thread Guide.....
134001	7317	Blower complete, Nos. 64088, 64249, 64250, 134004, 134026, 134044, two each 948E, 64097 to 64099 and six 51265J.....
134002	7318	Drill Belt Guard with two 795C, for 134049.....
134003	7318	Drill Belt Guard Belt Guide.....
134004	7317	" Driving Pulley (double grooved) 5 1/4 in. diam. with two 50084C.....
134005	7319	Drill Spindle Pinion (spiral) with 1036C and 1037C, for 134051.....
134006	7319	Drill Spindle Pinion Housing with 446C, for 134007.....
134007	-----	Drill Spindle Pinion Housing complete, Nos. 64097, 64146, 134006, 134008, 134009, 134011, 134013, 134014, 134017 to 134020, 134045, 134046, 134051, 134075, 898624 and fifteen 190J.....

From the library of Diamond Needle Corp

No.	Plate	Name
134008	7319	Drill Spindle Pinion Housing Cover for 134007.....
134009	7319	Drill Spindle Pinion Key for 134007.....
134010	7319	" " " Shaft for 134045...
134011	7319	" " Driving Gear (spiral) with 888C and 50422C, for 134007.....
134012	7319	Drill Spindle Driving Gear Shaft for 134046.....
134013	7319	Drill Spindle Driving Gear Shaft Ball Bearing (back) Grease Packing Collar for 134007.....
134014	7319	Drill Spindle Driving Gear Shaft Ball Bearing (front) Cover for 134007....
134016	7319	Drill Spindle Driving Gear Shaft Ball Bearing (front) Grease Tube for 134017.....
134017	-----	Drill Spindle Driving Gear Shaft Ball Bearing (front) Grease Tube complete for 134007, Nos. 67465 and 134016...
134018	7319	Drill Spindle Driving Gear Shaft Pulley (double grooved) 4 in. diam. with two 50084C, for 134007.....
134019	7319	Drill Spindle Locking Stud for 134007...
134020	7319	" " Protector Sleeve for 134007
134022	23403	Bobbin Winder Tension Bracket for 134023
134023	23403	" " " " 134022 with 637C, 1560C, 2103, 49220 and two 2102, for 134024.....
134024	23403	Bobbin Winder (swinging automatic, left hand) complete, Nos. 162J, 41900, 64220, 134023, 150076 and three 894E
134025	7317	Blower Fan Case (front half) Cover Spacing Collar for 134026.....
134026	-----	Blower Fan Case complete for 134001, Nos. 64089, 64090, 134034, three each 131E, 134025 and seven 190E.....
134030	7313	Vibrating Presser Foot Plate Hinge Pin for 134074.....
134031	7313	Vibrating Presser Foot Plate Shank with 465C, for 134074.....
134033	7322	Vibrating Presser Bar Cushion (rawhide) for 64208.....
134034	7317	Blower Fan Case (front half) Cover for 134026.....
134035	7319	Drill Spindle.....
134037	7319	" " Thrust Bearing Ball Ring Cup with 452C and 791C.....
134039	7319	Drill Spindle Thrust Bearing Ball Ring Washer.....
134040	7322	Needle Bar Connecting Link for 134041...

No.	Plate	Name
134041	-----	Needle Bar Connecting Stud 9246 with 134040.....
134044	-----	Blower Fan Driving Shaft 64248 with two 67337, for 134001.....
134045	-----	Drill Spindle Pinion Shaft 134010 with two 67337, for 134007.....
134046	-----	Drill Spindle Driving Gear Shaft 134012 with two 67337, for 134007.....
134047	7320	Drill Safety Guard Packing (paper) for 64133.....
134048	7318	Drill Belt Guard Extension for 134049...
134049	-----	" " " 134002 with 134048 and two 162J.....
134050	7319	Drill Spindle Pinion Oil Guard (two pieces) with 5965, for 134051.....
134051	-----	Drill Spindle Pinion 134005 with 134050 for 134007.....
134062	7322	Lifting Presser Bar Rock Shaft Crank with 363C and 1396E.....
134063	7322	Lifting Presser Bar Rock Shaft Crank Sleeve.....
134064	7323	Lifting Presser Bar Spring Bracket.....
134065	7313	Throat Plate Body for 134067.....
134066	7313	" " Needle Plate for 134067...
134067	7313	Throat Plate complete for 64155, Nos. 231F, 64206, 134065, 134066 and two 1186E.....
134068	7315	Shuttle Driver with 445C, for sizes up to and including No. 27 Needle.....
134070	7313	Lifting Presser Foot with 64181, for 134072.....
134071	7313	Lifting Presser Foot Holder with 1396J, for 134072.....
134072	7313	Lifting Presser Foot complete, Nos. 134070, 134071 and two 164D.....
134073	7313	Vibrating Presser Foot Plate for 134074
134074	7313	Vibrating Presser Foot (hinged) complete, Nos. 24872, 134030, 134031 and 134073.
134075	7319	Drill Spindle Driving Gear Shaft Ball Bearing (back) Washer for 134007....
140108C	7322	Lifting Presser Bar Rock Shaft Crank Roller Screw.....
150076	23403	Thread Unwinder complete for two large spools, for 134024, Nos. 27561, 27693, 202490, 225257 and three wood screws 7/8 in. No. 12 F.H.....
200383C	23403	Thread Unwinder Thread Guard Rod Set Screw for 202490.....
201018C	23403	Thread Unwinder Spool Rest Set Screw for 225257.....

## NUMERICAL LIST OF PARTS

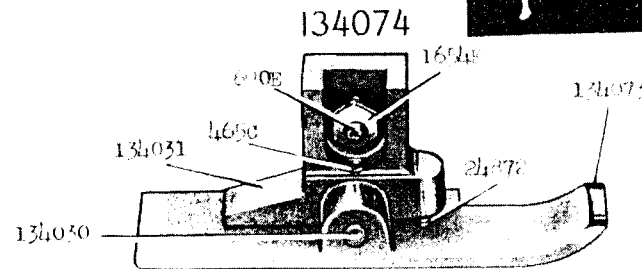
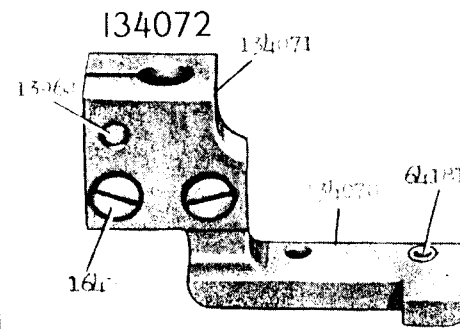
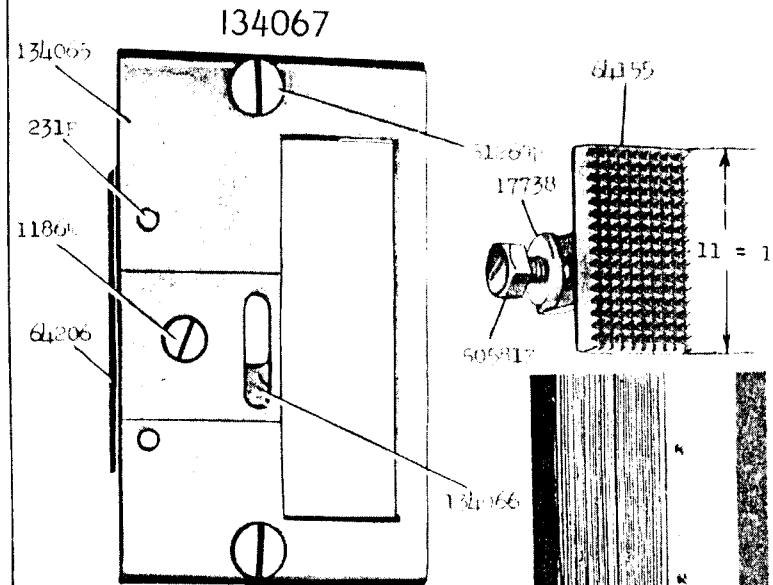
No.	Plate	Name
202490	23403	Thread Unwinder Spool Stand with 200383C, for 150076.....
225257	23403	Thread Unwinder Spool Rest with 201018C, for 150076.....
898624	7319	Drill Spindle Pinion Grease Cup complete for 134007.....

Genuine Singer Needles should be used  
in Singer Machines.  
These Needles and their Containers  
are marked with the  
Company's Trade Mark "SIMANCO." 1

Needles in Containers marked  
"For Singer Machines"  
are not Singer made needles. 2

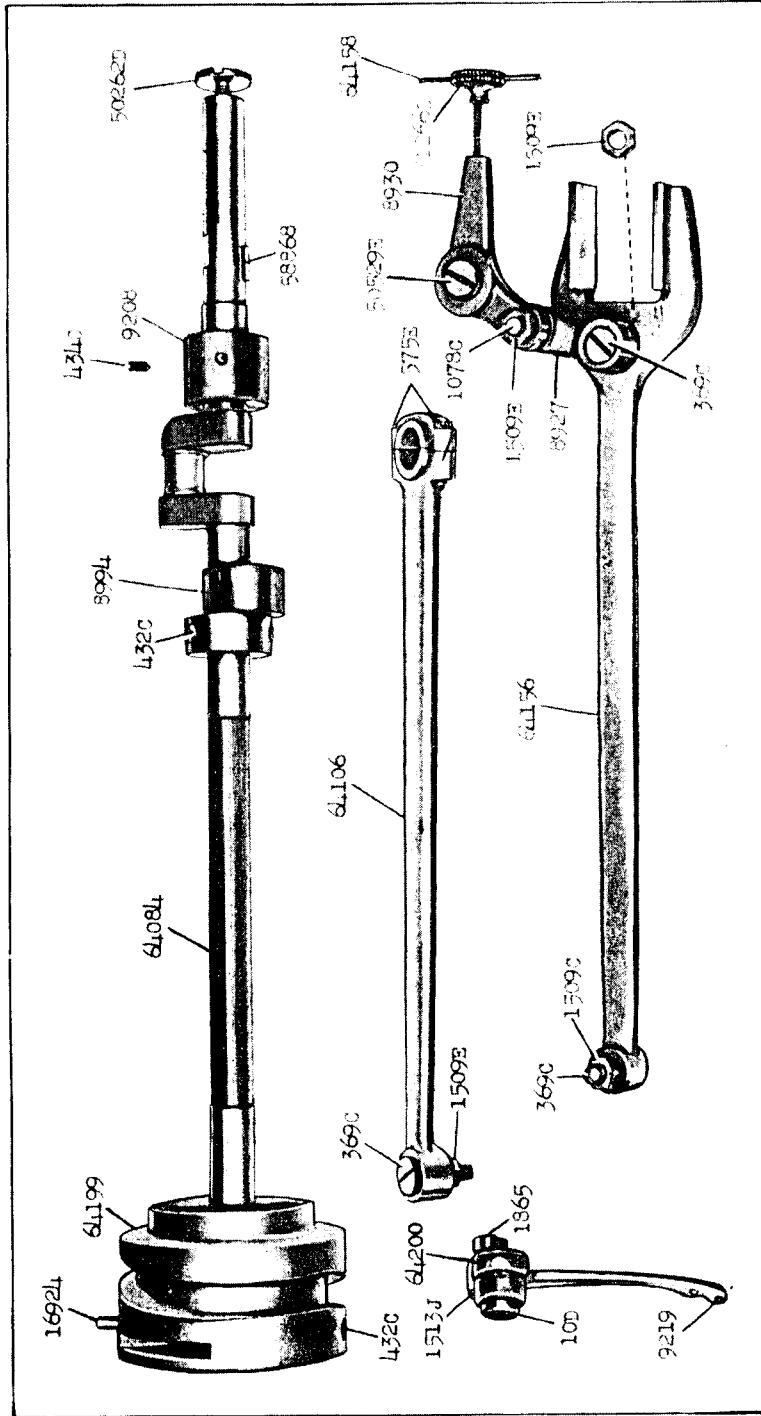
# ILLUSTRATIONS OF PARTS

From the Library of Diamond Needle Corp.

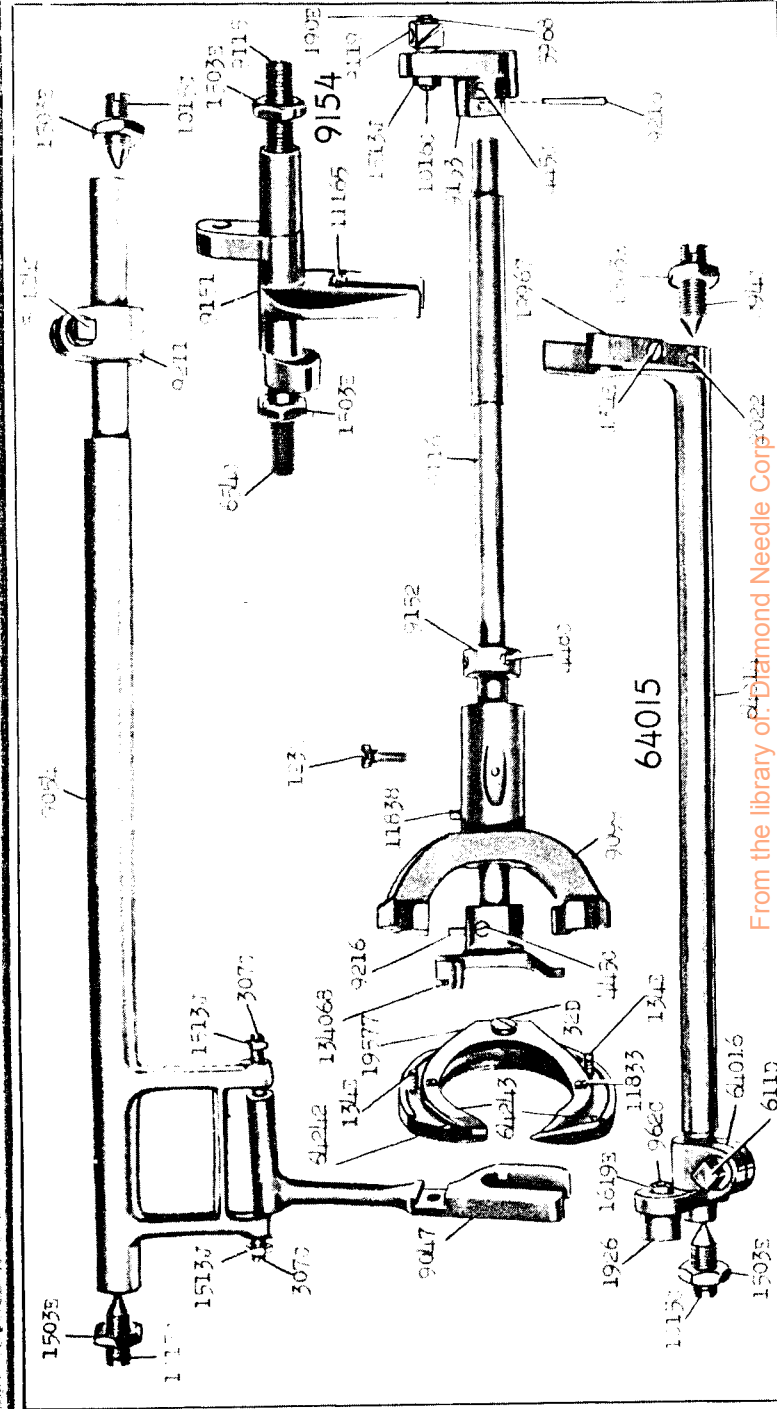


From the library of: Diamond Needle Corp

7314 - 1/4



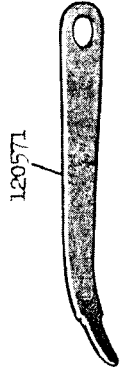
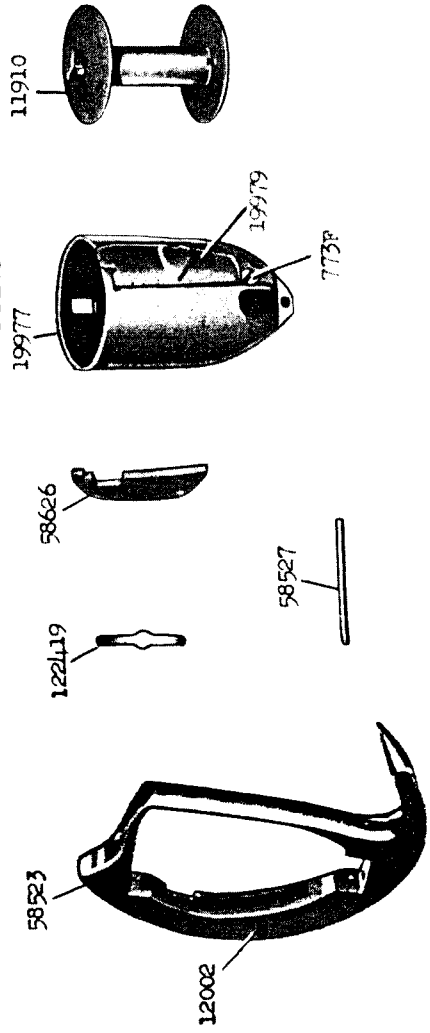
7315 - 1/4



From the library of Diamond Needle Corp 6022

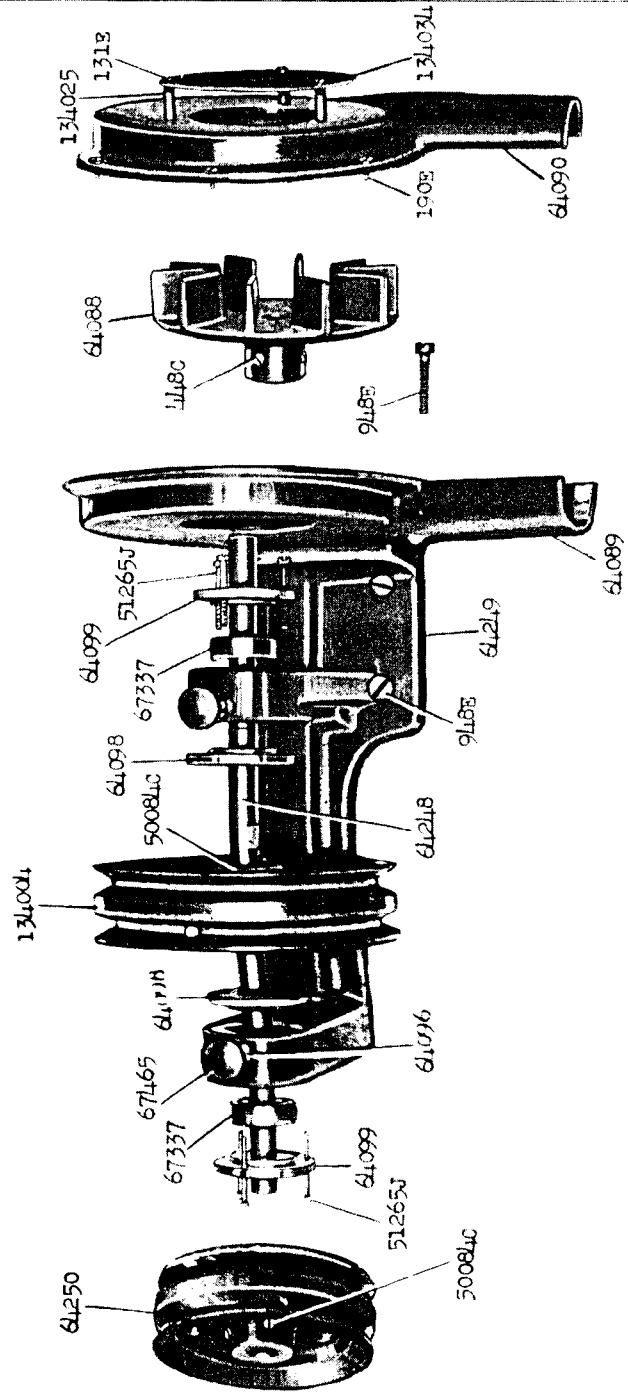
7316 - 2/3

58525



7317 - 1/4

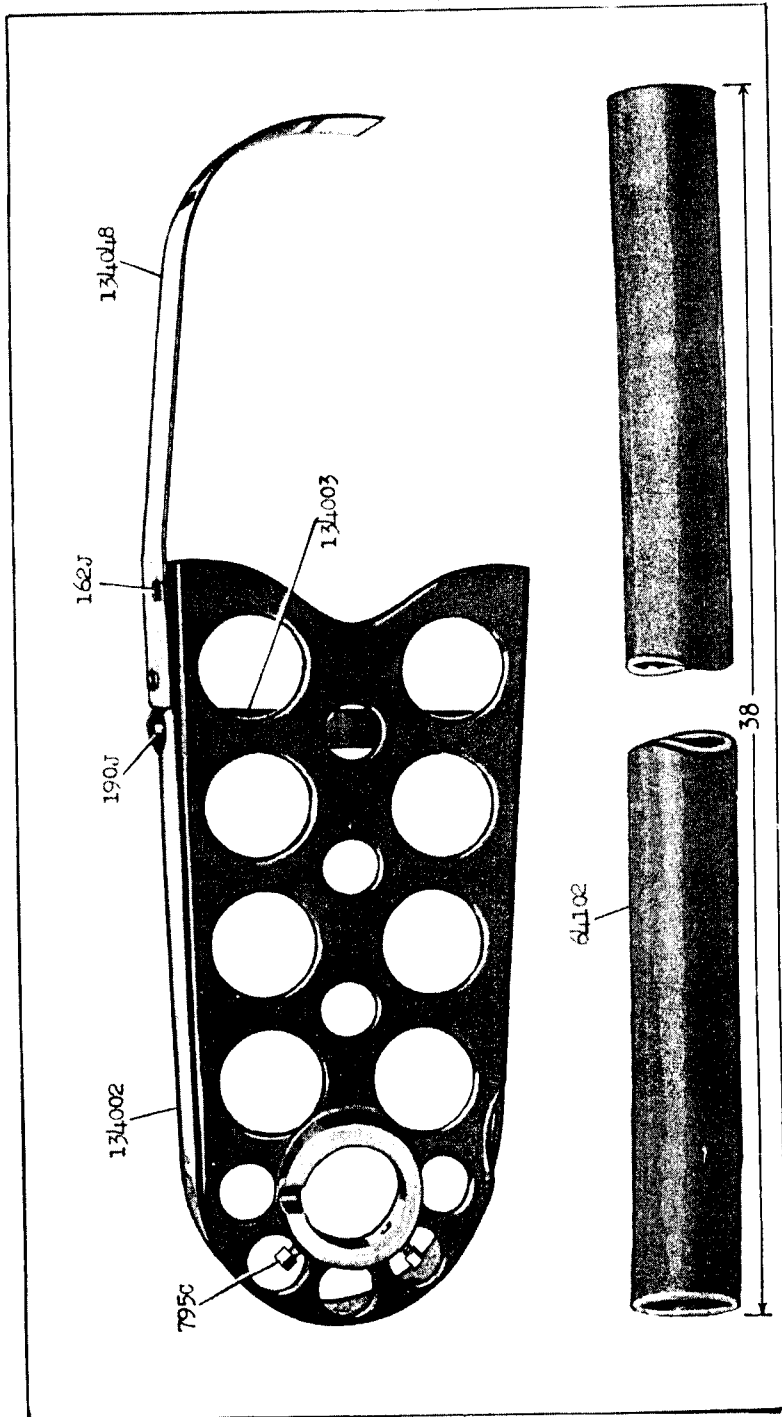
134001



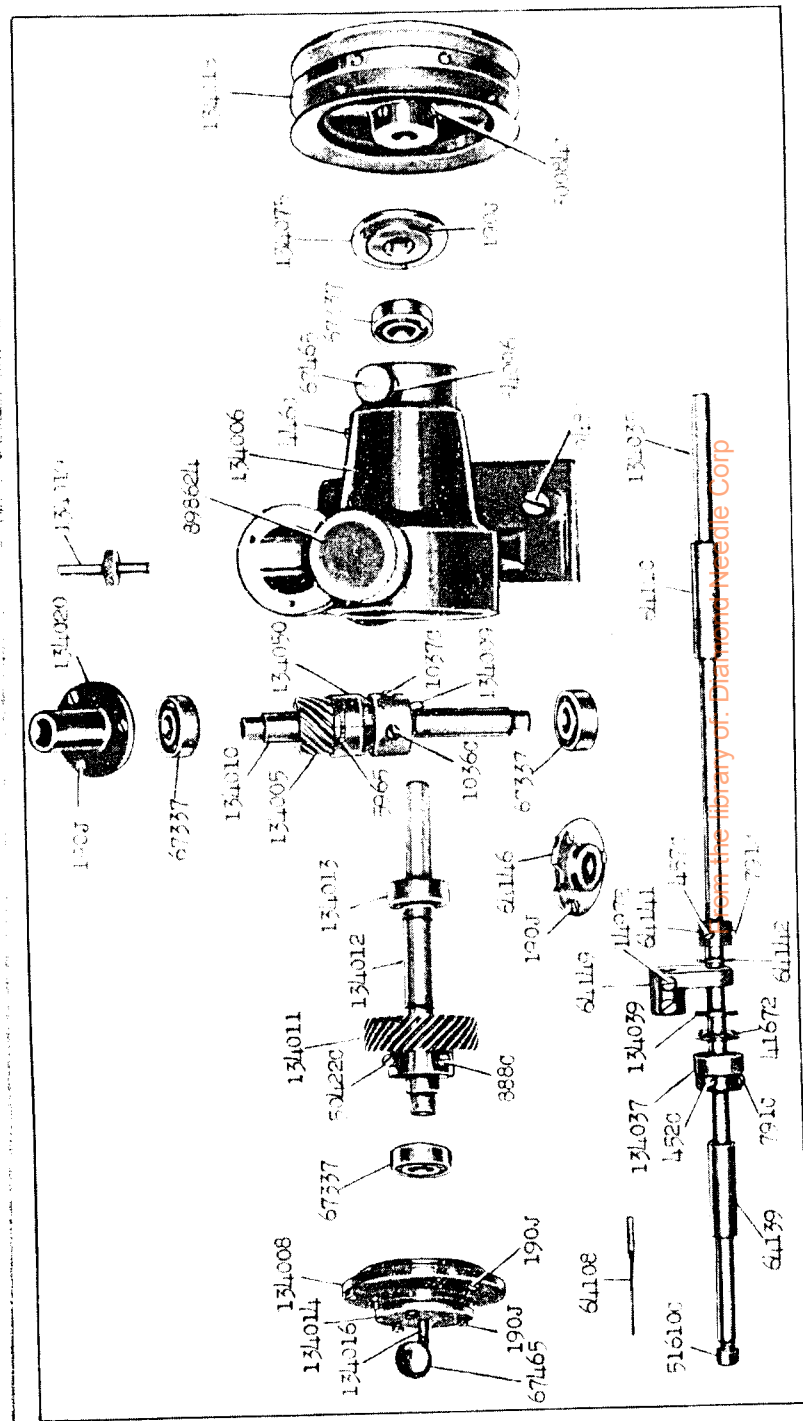
From the library of: Diamond Needle Corp

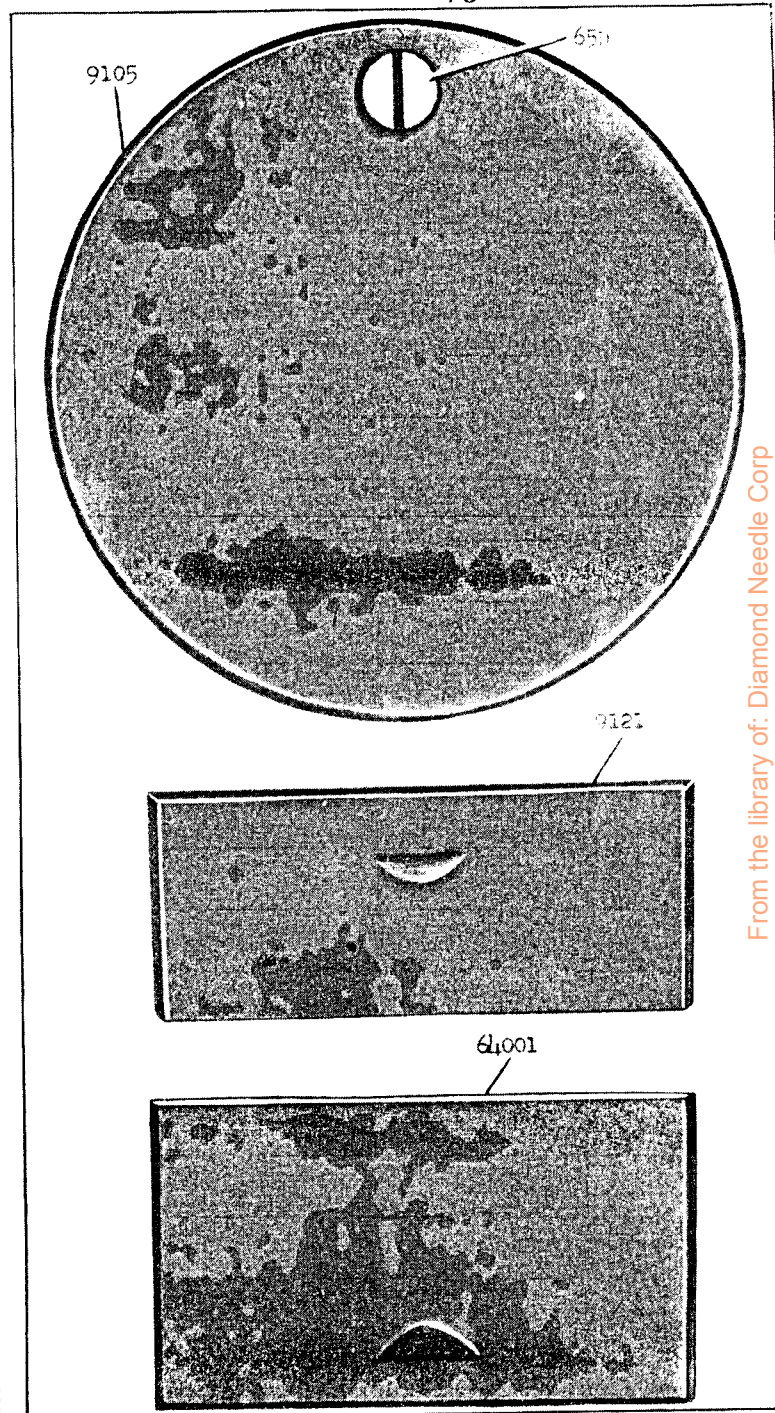
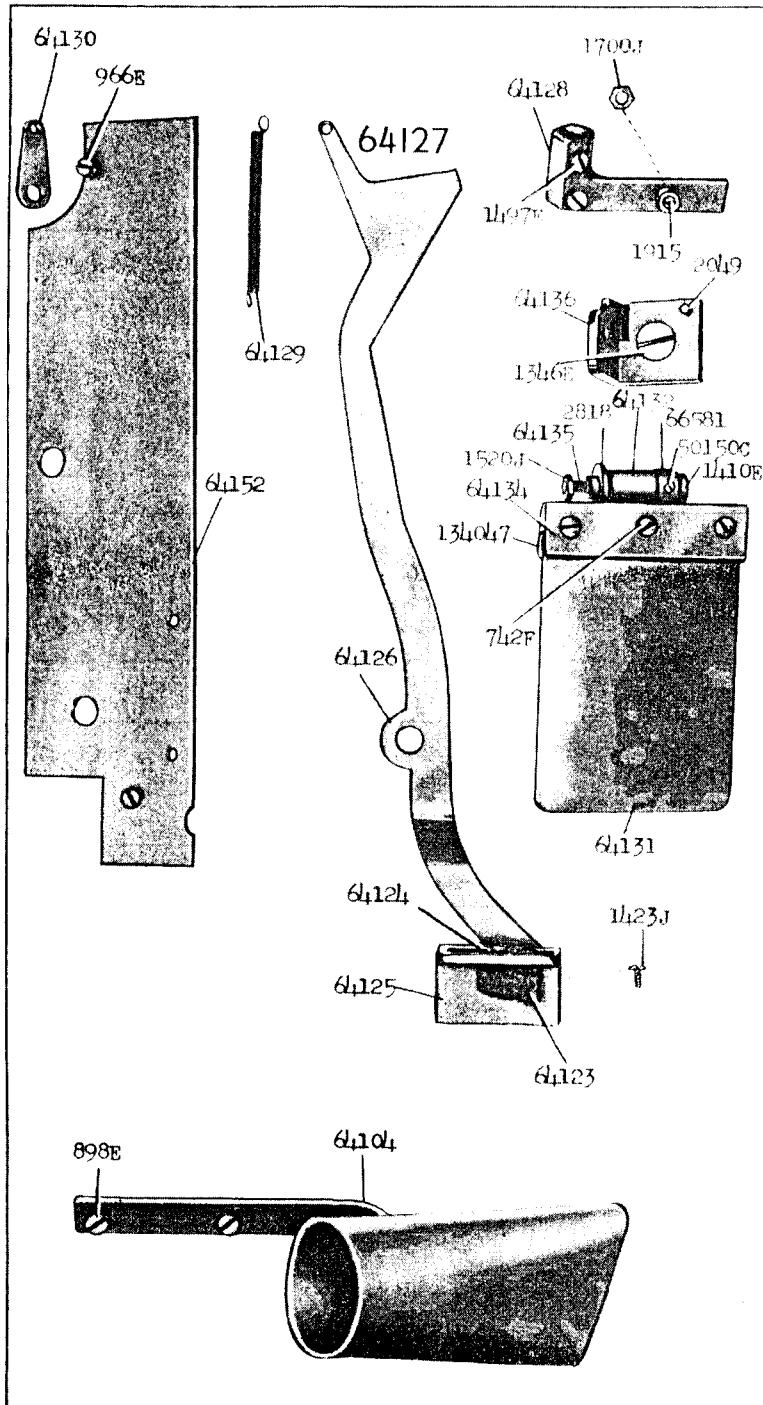


7318 - 1/4

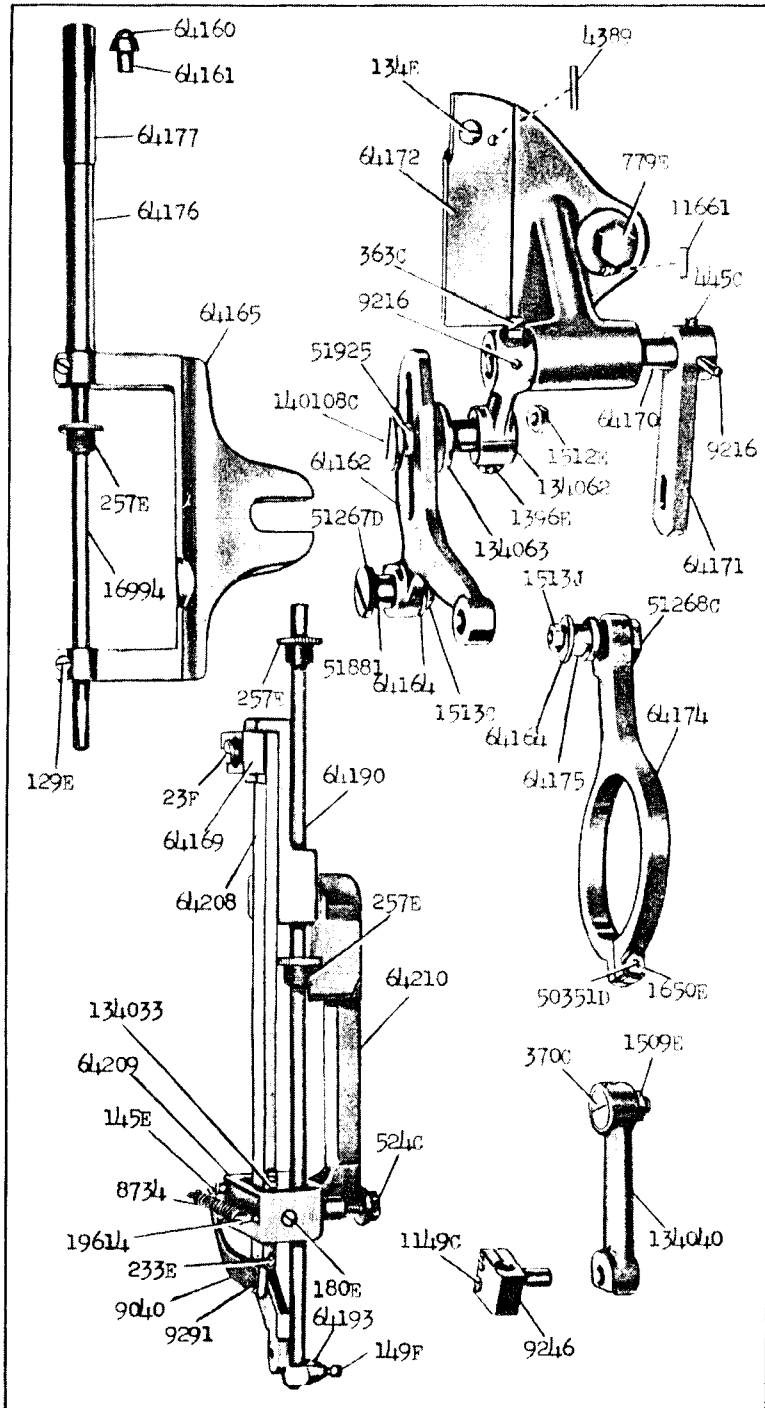


7319 - 1/4

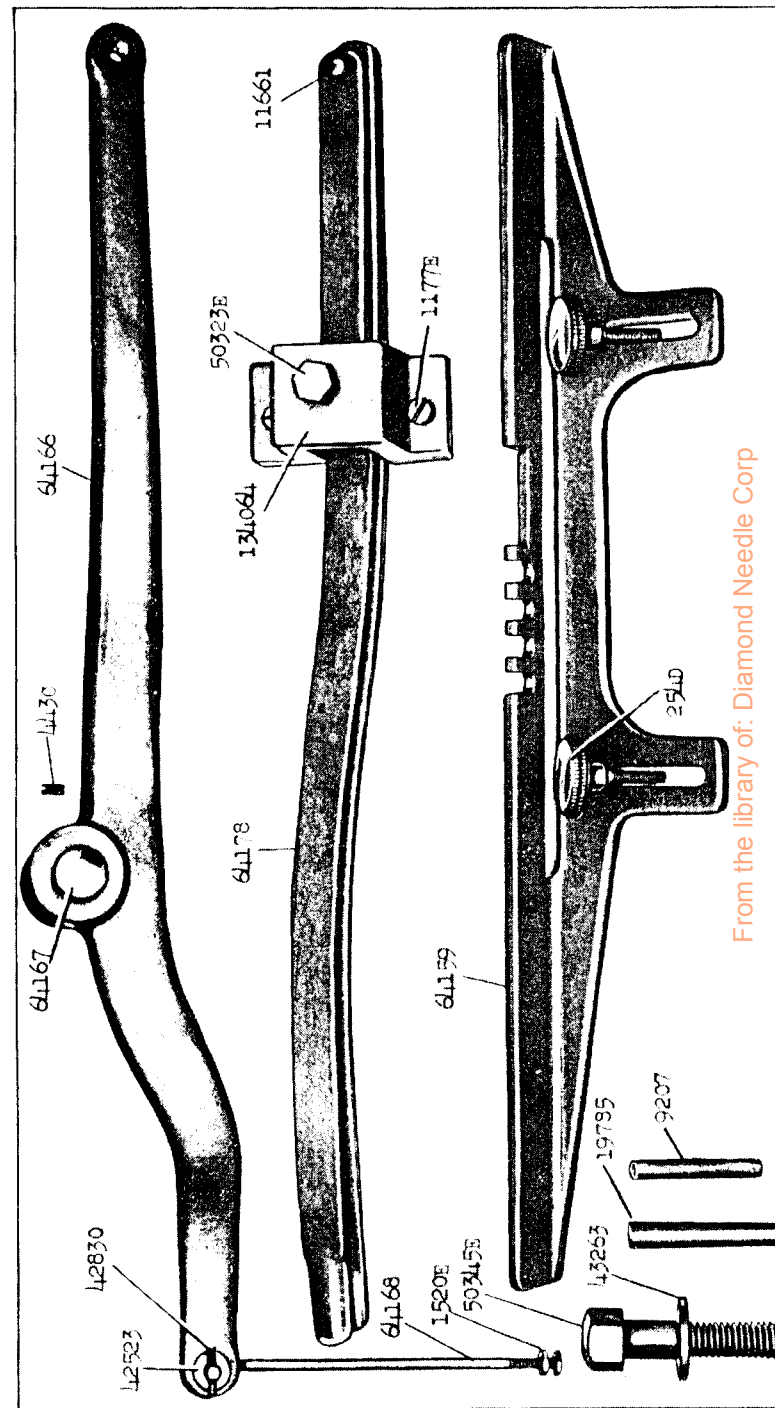




7322 - 1/4

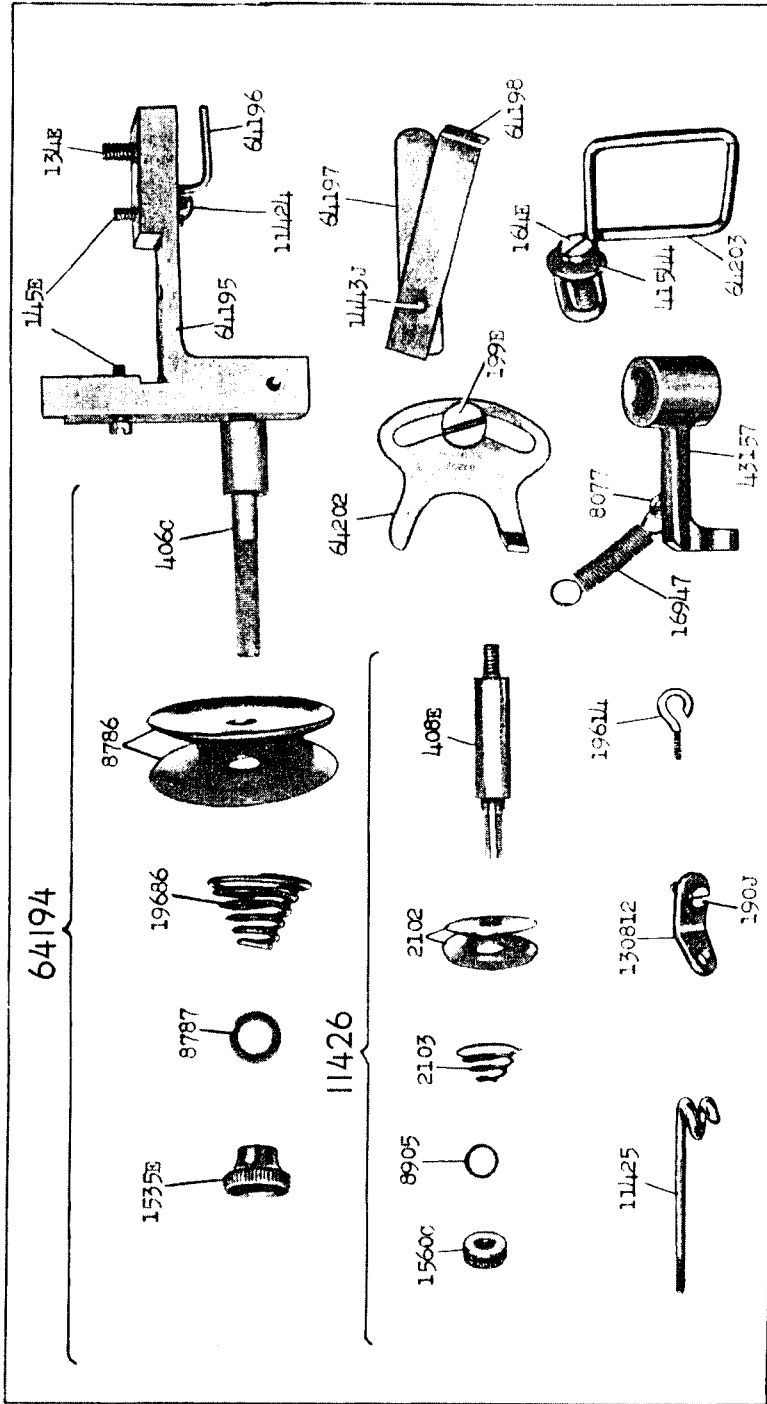


7323 - 1/3

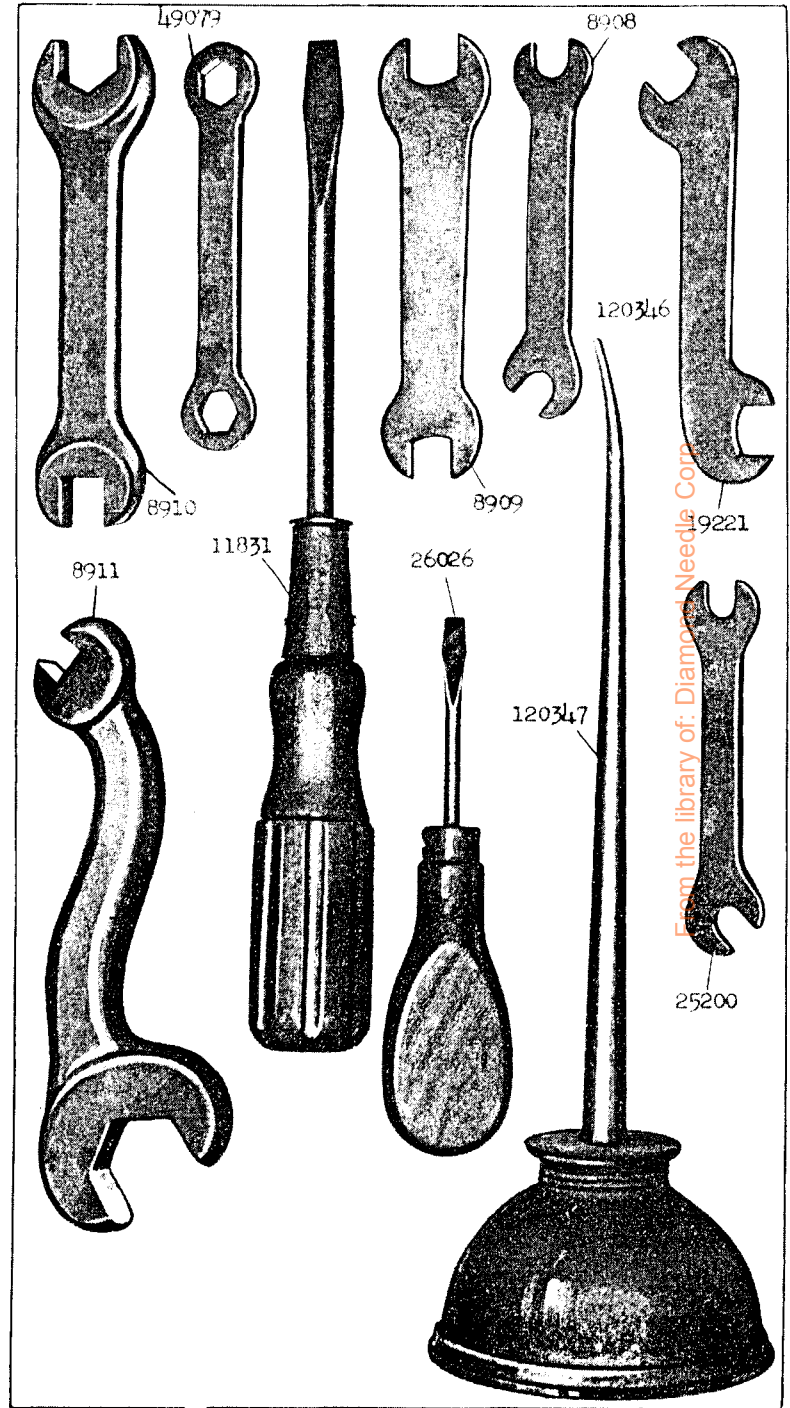


From the library of: Diamond Needle Corp

7324 - 1/2

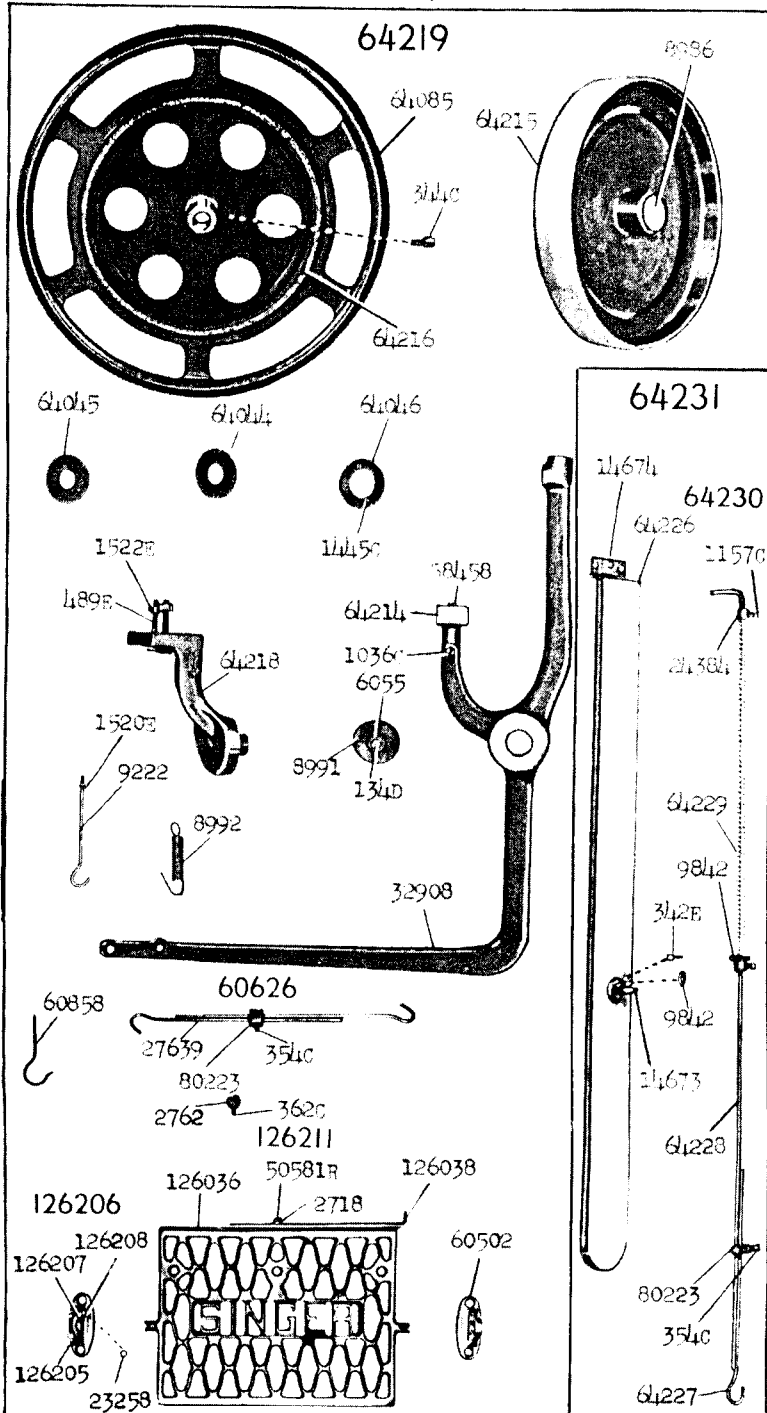


23401 - 1/2



From the library of: Diamond Needle Corp

23402 - 1/10



23403

134024

